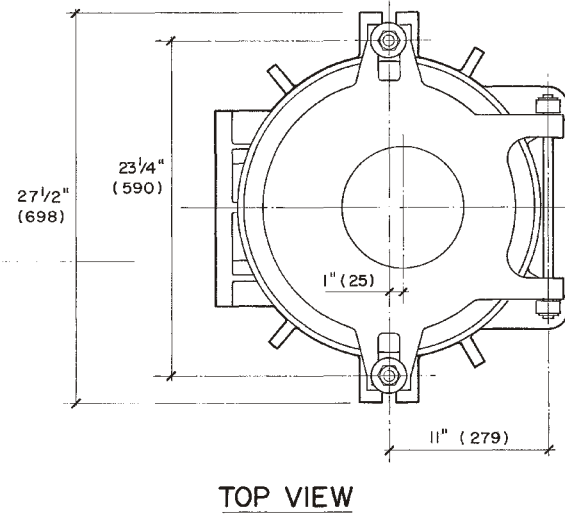
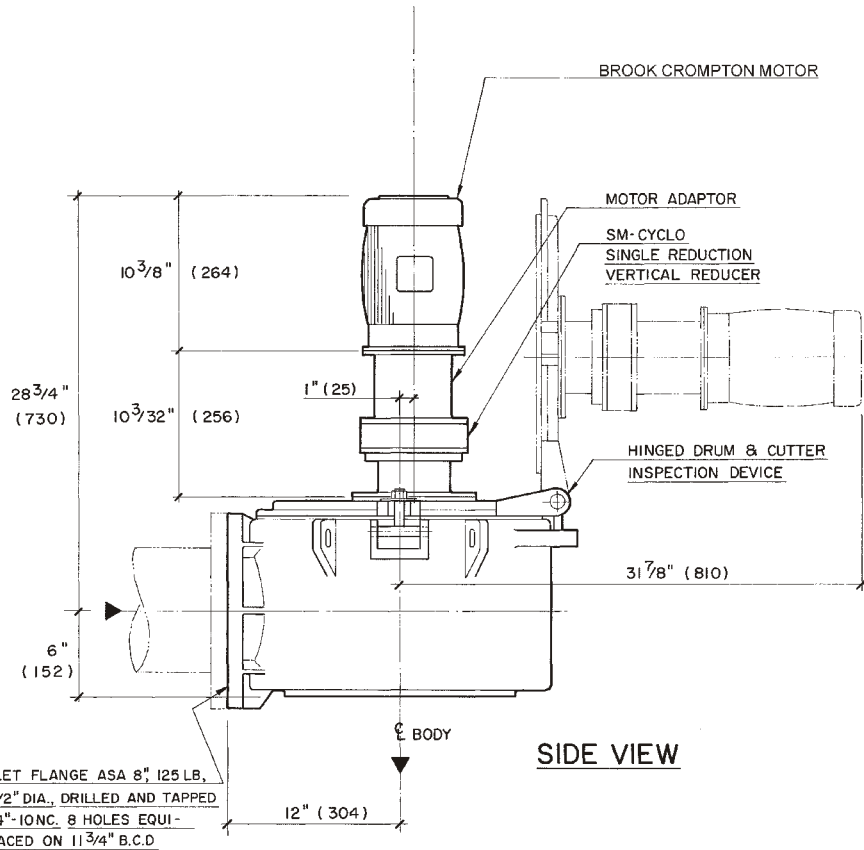


# Grind Hog™ DIMENSIONAL & MECHANICAL DETAIL


**MODEL 10A**  
**FREE DISCHARGE**  
 SERIAL No. \_\_\_\_\_



INLET FLANGE ASA 8", 125 LB,  
 1 1/2" DIA., DRILLED AND TAPPED  
 3/4"-10NC, 8 HOLES EQUI-  
 SPACED ON 11 3/4" B.C.D.

## MATERIALS OF CONSTRUCTION & GENERAL ENGINEERING DATA

<b>HOUSING:</b>	GREY IRON	<b>CAPACITY:</b>	850 GPM (US) / 53.6 L/s	<b>INLET AREA:</b>	97 sq in / 626 cm sq
<b>DRUM (SCREEN):</b>	DUCTILE IRON (ASTM 536 GRADE 60-45-18)	<b>DRUM SPEED:</b>	50 RPM	<b>OUTLET AREA:</b>	45 sq in / 290 cm sq
<b>SHEAR BARS:</b>	AISI-A2 HIGH ALLOY TOOL STEEL	<b>ROTATION:</b>	C / CLOCKWISE	<b>DRUM DIAMETER:</b>	9.4 in / 23.9 cm
<b>CUTTING BARS:</b>	AISI-01 TOOL STEEL REVERSIBLE	<b>SLOT WIDTH:</b>	0.470 in / 12 mm	<b>WEIGHT:</b>	430 lb / 195 kg
<b>HARDWARE &amp; FASTENERS:</b>	304 STAINLESS STEEL	<b>NO OF SLOTS:</b>	36		
<b>MOTOR MANUFACTURER:</b>	Brook Crompton	<b>POWER:</b>	____ / ____ / ____	<b>RPM:</b>	1750
<b>STYLE: TEFC (IP55)</b>	<b>HP: 1.0</b>	<b>KW: 746</b>	<b>FRAME: 56C</b>	<b>FLANGE: 'C'</b>	<b>SM-CYCLO REDUCER MODEL: V6120</b>
				<b>RATIO: 35:1</b>	<b>RATING: 4.27 HP</b>

REVISIONS	BY	DATE	APP.
 <b>G.E.T. INDUSTRIES INC.</b> Box 640, Brampton, Ontario L6V 2L6 T(905) 451-9900-F(905) 451-5376 get@grindhog.com-www.grindhog.com			
TOLERANCES	SCALE		
DECIMAL	DRAWN BY		
FRACTIONAL	APPROVED BY		
ANGULAR	REV.		
DATE	PROJECT NO.	DRAWING NO.	REV.
Oct. 2006		DD.10A	