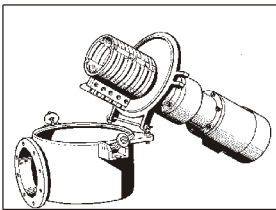
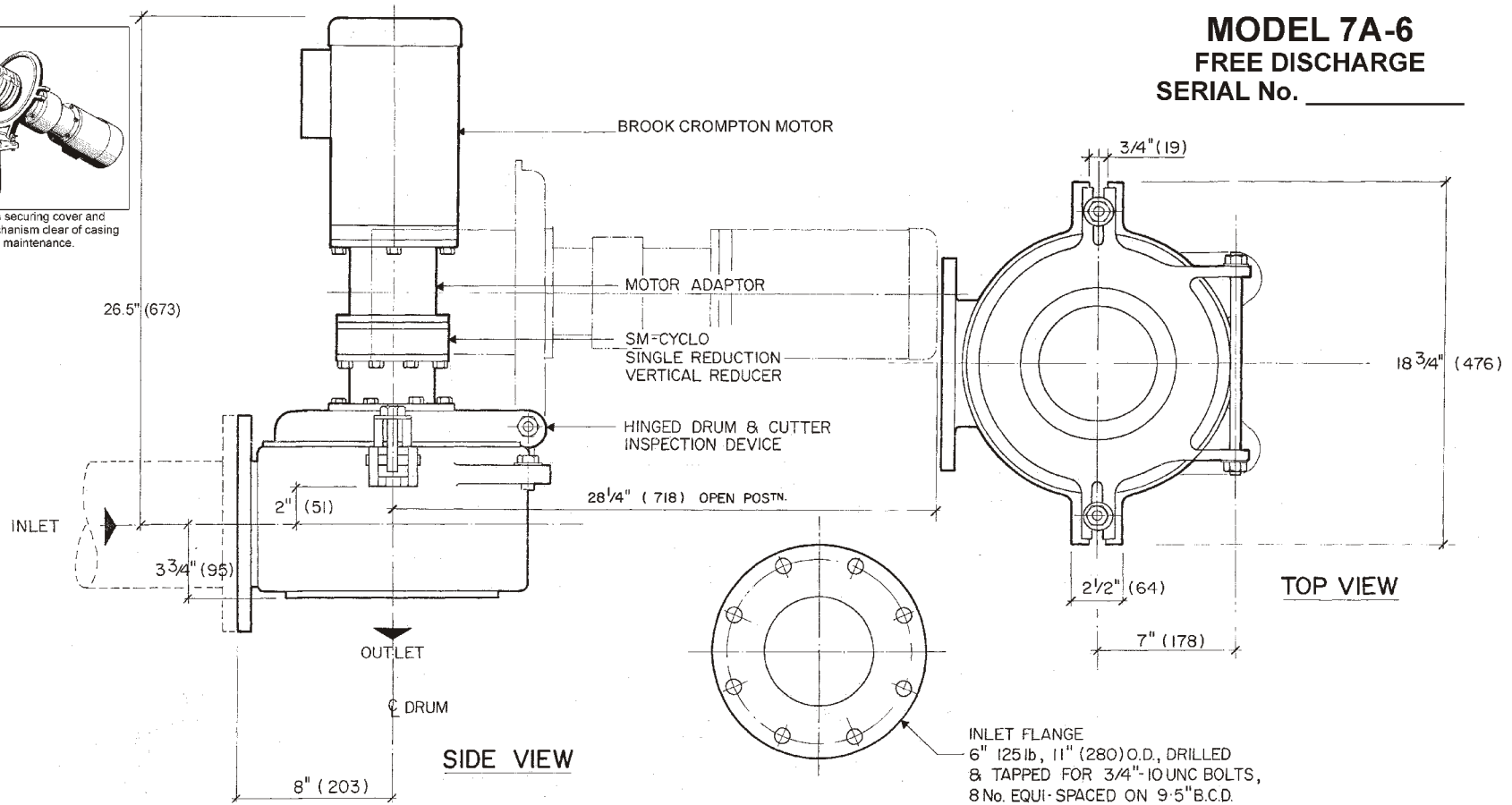


# Grind Hog DIMENSIONAL & MECHANICAL DETAIL

**MODEL 7A-6**  
**FREE DISCHARGE**  
 SERIAL No. \_\_\_\_\_



Release eye-bolts securing cover and swing cutting mechanism clear of casing for inspection and maintenance.



**MATERIALS OF CONSTRUCTION & GENERAL ENGINEERING DATA**

|                                  |  |                     |                         |                                |                      |
|----------------------------------|--|---------------------|-------------------------|--------------------------------|----------------------|
| <b>HOUSING:</b>                  | GREY IRON                              | <b>CAPACITY:</b>    | 315 GPM (US) / 19.9 L/s | <b>INLET AREA:</b>             | 34 sq in 219.4 cm sq |
| <b>DRUM (SCREEN):</b>            | DUCTILE IRON (ASTM 536 GRADE 60-45-18) | <b>DRUM SPEED:</b>  | 50 RPM                  | <b>OUTLET AREA:</b>            | 20 sq in 129 cm sq   |
| <b>SHEAR BARS:</b>               | AISI-A2 HIGH ALLOY TOOL STEEL          | <b>ROTATION:</b>    | C / CLOCKWISE           | <b>DRUM DIAMETER:</b>          | 6.8 in 17.3 cm       |
| <b>CUTTING BARS:</b>             | AISI-01 TOOL STEEL REVERSIBLE          | <b>SLOT WIDTH:</b>  | 0.470 in / 12 mm        | <b>WEIGHT:</b>                 | 225 lb 102 kg        |
| <b>HARDWARE &amp; FASTENERS:</b> | 304 STAINLESS STEEL                    | <b>NO OF SLOTS:</b> | 20                      |                                |                      |
| <b>MOTOR MANUFACTURER:</b>       | Brook-Crompton                         | <b>POWER:</b>       | / /                     | <b>RPM:</b>                    | 1750                 |
| <b>STYLE: TEFC (IP55)</b>        | <b>HP:</b> 1.0                         | <b>KW:</b> 746      | <b>FRAME:</b> 56        | <b>FLANGE:</b> 'C'             | <b>RATIO:</b> 35:1   |
|                                  |  |                     |                         | <b>SM-CYCLO REDUCER MODEL:</b> | V6100                |
|                                  |  |                     |                         | <b>RATING:</b>                 | 1.61 HP              |

| REVISIONS  | BY          | DATE        | APP         |
|--|-------------|-------------|-------------|
| <b>G.E.T. INDUSTRIES INC.</b>  |             |             |             |
| Box 640, Brampton, Ontario L6V 2L6<br>T(905) 451-9900-F(905) 451-5376<br>get@grindhog.com-www.grindhog.com |             |             |             |
| TOLERANCES   |             |             | SCALE       |
| +  |             |             | 3/8 Full    |
| DECIMAL  |             |             | DRAWN BY    |
| FRACTIONAL   |             |             | Techart     |
| ANGULAR  |             |             | APPROVED BY |
| DATE   | PROJECT NO. | DRAWING NO. | REV.        |
| Oct. 2006  |             | DD.7A-6     |             |