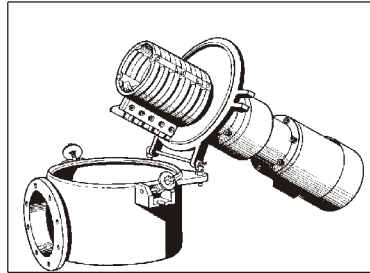
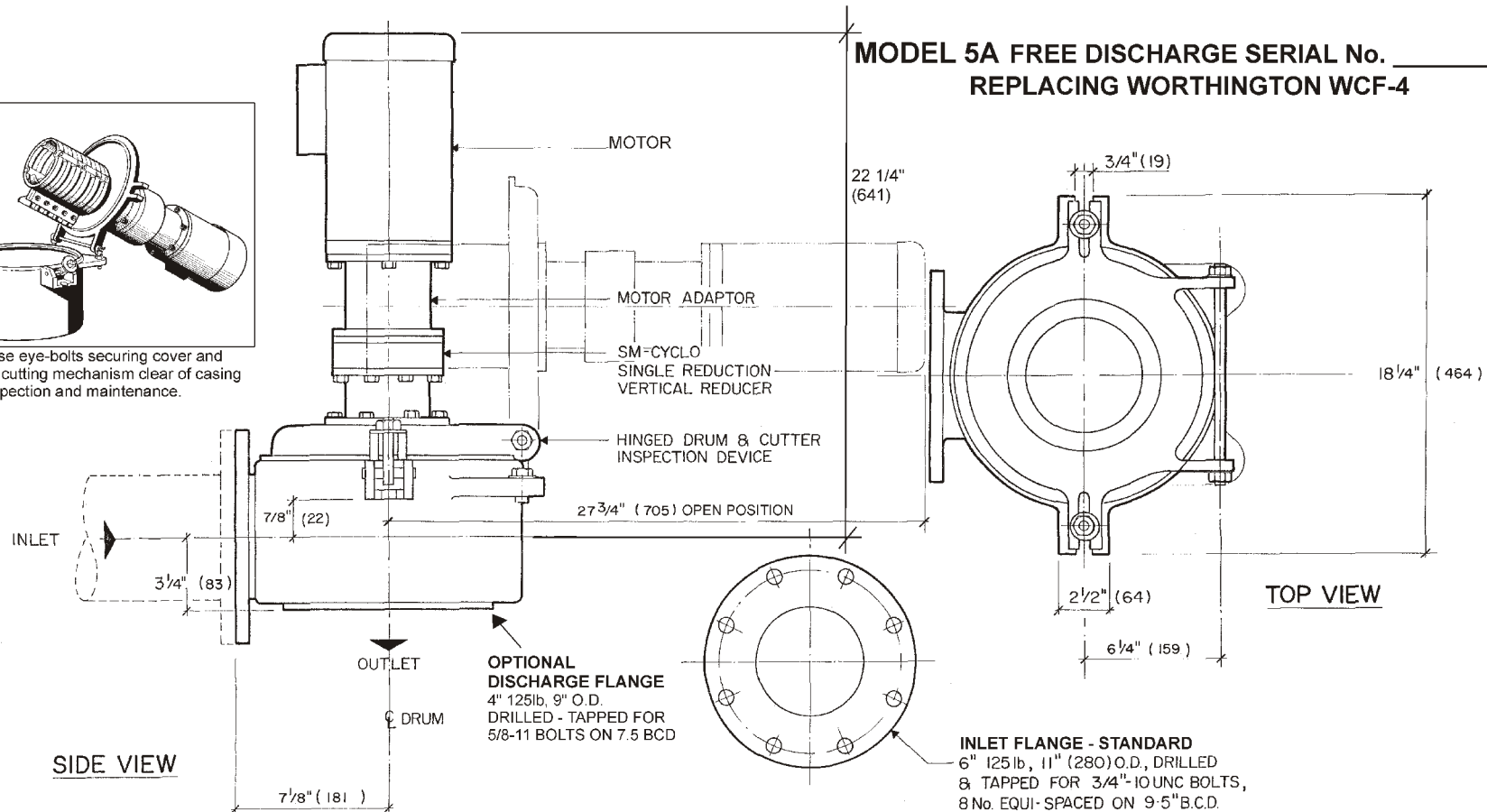


# Grind Hog™ DIMENSIONAL & MECHANICAL DETAIL

**MODEL 5A FREE DISCHARGE SERIAL No. \_\_\_\_\_  
REPLACING WORTHINGTON WCF-4**



Release eye-bolts securing cover and swing cutting mechanism clear of casing for inspection and maintenance.



**MATERIALS OF CONSTRUCTION & GENERAL ENGINEERING DATA**

<b>HOUSING:</b>	GREY IRON	<b>CAPACITY:</b>	130 GPM (US) / 8.2 L/s	<b>INLET AREA:</b>	13 sq in / 83.9 cm sq
<b>DRUM (SCREEN):</b>	DUCTILE IRON (ASTM 536 GRADE 60-45-18)	<b>DRUM SPEED:</b>	50 RPM	<b>OUTLET AREA:</b>	8 sq in / 51.6 cm sq
<b>SHEAR BARS:</b>	AISI-A2 HIGH ALLOY TOOL STEEL	<b>ROTATION:</b>	C / CLOCKWISE	<b>DRUM DIAMETER:</b>	5.3 in / 13.5 cm
<b>CUTTING BARS:</b>	AISI-01 TOOL STEEL REVERSIBLE	<b>SLOT WIDTH:</b>	0.470 in / 12 mm	<b>WEIGHT:</b>	170 lb / 77 kg
<b>HARDWARE &amp; FASTENERS:</b>	304 STAINLESS STEEL	<b>NO OF SLOTS:</b>	12		
<b>MOTOR MANUFACTURER:</b>	Brook Crompton	<b>POWER:</b>	____ / ____ / ____	<b>RPM:</b>	1750
<b>STYLE:</b>	56C	<b>HP:</b>	1.0	<b>KW:</b>	.74
		<b>FRAME:</b>	56	<b>FLANGE:</b>	C
				<b>SM-CYCLO REDUCER MODEL:</b>	V6100
				<b>RATIO:</b>	35:1
				<b>RATING:</b>	1.61 HP

REVISIONS		BY	DATE	APP.
<b>G.E.T. INDUSTRIES INC.</b> Box 640, Brampton, Ontario L6V 2L6 T(905) 451-9500-F(905) 451-5376 get@grindhog.com-www.grindhog.com				
TOLERANCES				SCALE
DECIMAL				DRAWN BY
FRACTIONAL				APPROVED BY
ANGULAR				
DATE	PROJECT NO.	DRAWING NO.	REV	
Sept. '07		RETRO-5A-WCF-4		