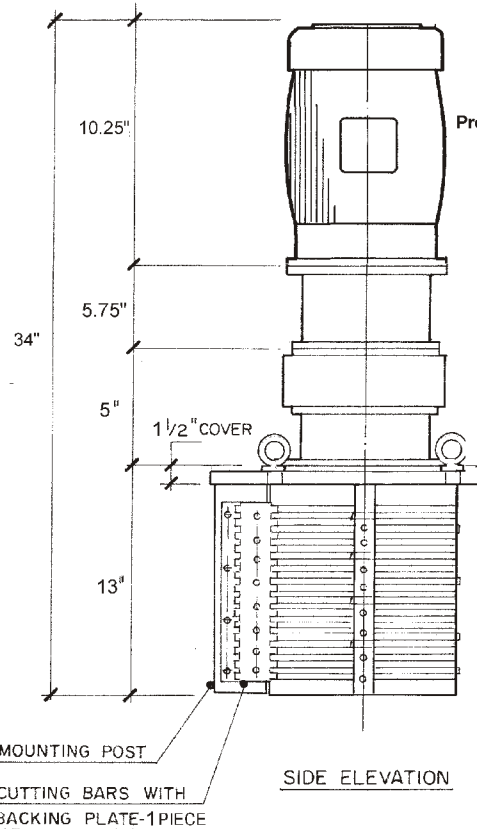


MODEL 10T/S
SERIAL No.

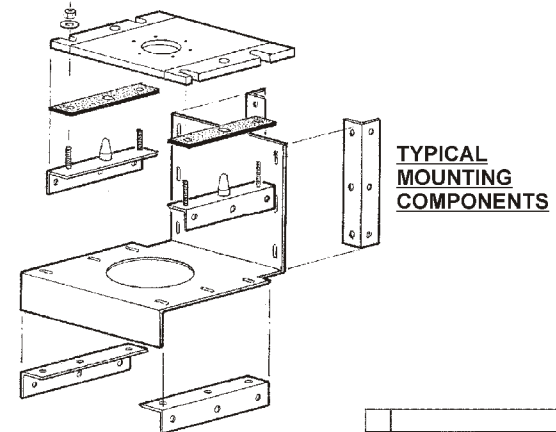
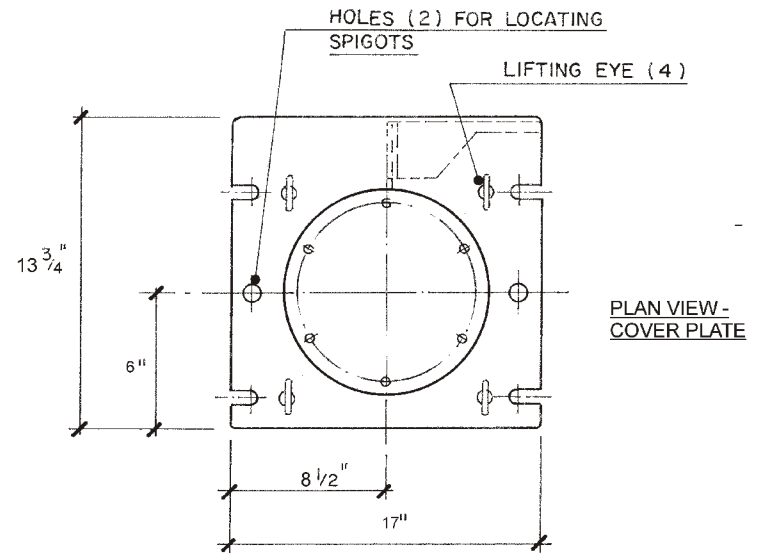
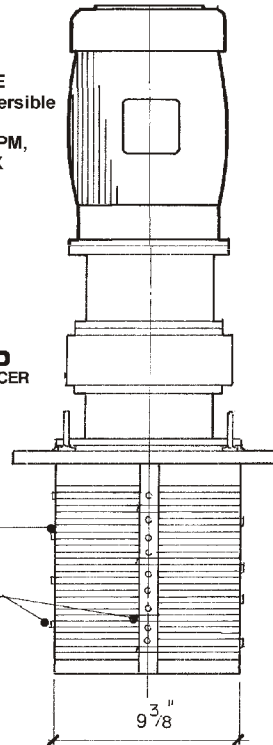


BALDOR
BALDOR-RELIANCE
Premium Efficiency - Immersible
VM7034
1/1 1/2HP, 1450/1725 RPM,
3PH, 50/60HZ, 56C,X

SUMITOMO
SM-CYCLO SPEED REDUCER
6000 SERIES

SCREEN

SHEAR BARS

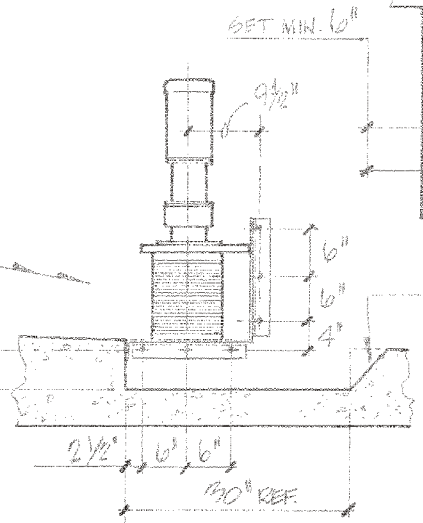
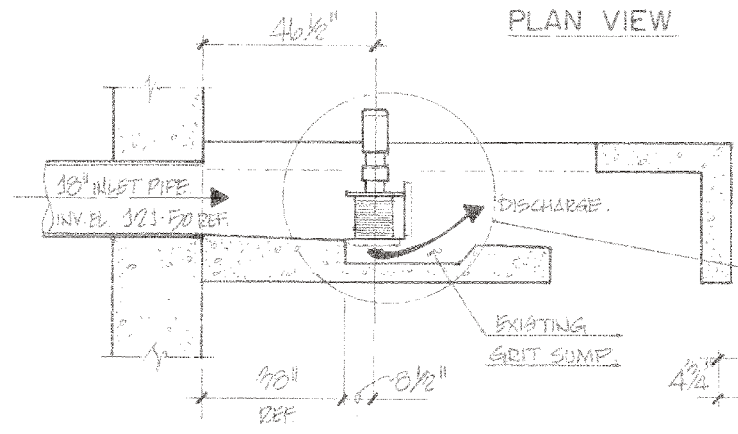
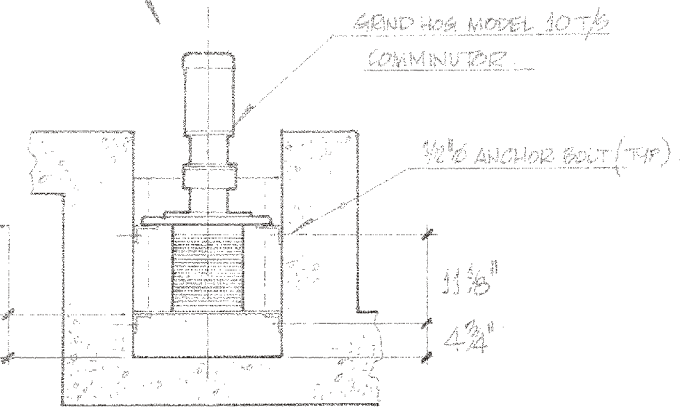
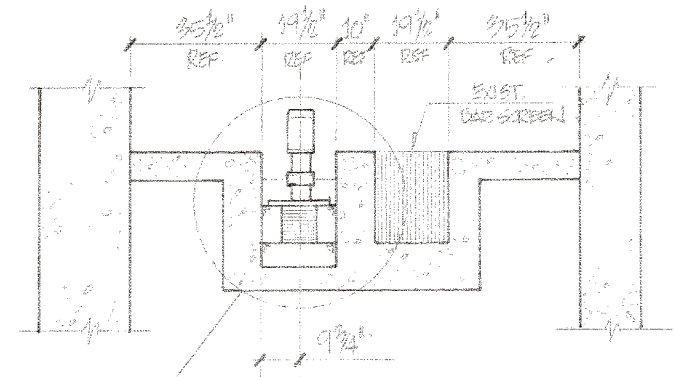
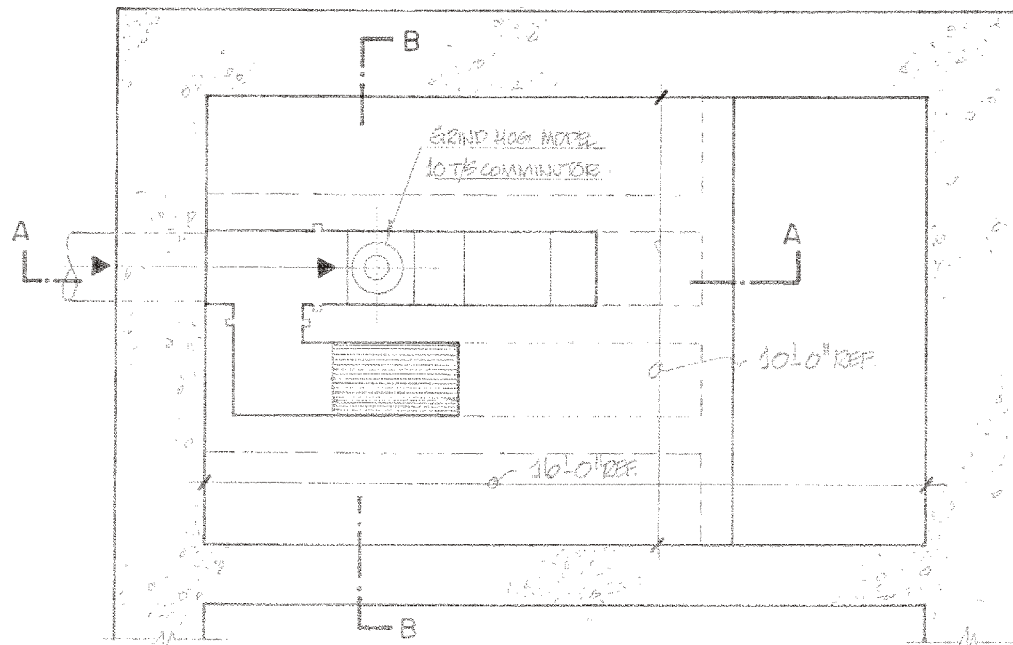



TYPICAL MOUNTING COMPONENTS

MATERIALS OF CONSTRUCTION & GENERAL ENGINEERING DATA

HOUSING:	GREY IRON	CAPACITY:	1.2 MGD (US) 4500 m ³ /day	INLET AREA:	97 sq in 626 cm sq
DRUM (SCREEN):	DUCTILE IRON (ASTM 536 GRADE 60-45-18)	DRUM SPEED:	50 RPM	OUTLET AREA:	45 sq in 290 cm sq
SHEAR BARS:	AISI-A2 HIGH ALLOY TOOL STEEL	ROTATION:	CLOCKWISE (STANDARD)	DRUM DIAMETER:	9.4 in 23.9 cm
CUTTING BARS:	AISI-01 TOOL STEEL REVERSIBLE	SLOT WIDTH:	0.470 in / 12 mm	WEIGHT:	400 lb 181 kg
HARDWARE & FASTENERS:	304 STAINLESS STEEL	NO OF SLOTS:	36		
MOTOR MANUFACTURER:	Baldor-Reliance	POWER:	480/3/60	RPM:	1750
STYLE: Immersible	HP: 1.5	KW: 1.12	FRAME: 56C	FLANGE: 'C'	SM-CYCLO REDUCER MODEL: V6120
				RATIO: 35:1	RATING: 4.27 HP

REVISOR	BY	DATE	APP
G.E.T. INDUSTRIES INC. (877) 213-7418 www.grindhog.com			
TOLERANCES			SCALE
DECIMAL			NTS
FRACTIONAL			DRAWN BY
ANGULAR			APPROVED BY
			WDM
DATE	PROJECT NO.	DRAWING NO.	REV.
Mar. 17/10			



REVISIONS		BY	DATE	APP.
 G.E.T. INDUSTRIES INC. (877) 213-7418 www.grindhog.com				
TOLERANCES				SCALE
DECIMAL				NTS
FRACTIONAL				DRAWN BY JW
ANGULAR				APPROVED BY WDM
DATE	PROJECT NO.	DRAWING NO.	REV.	
Mar. 17/10				

TYPICAL
WORTHINGTON
CHANNEL DETAIL - Model 12

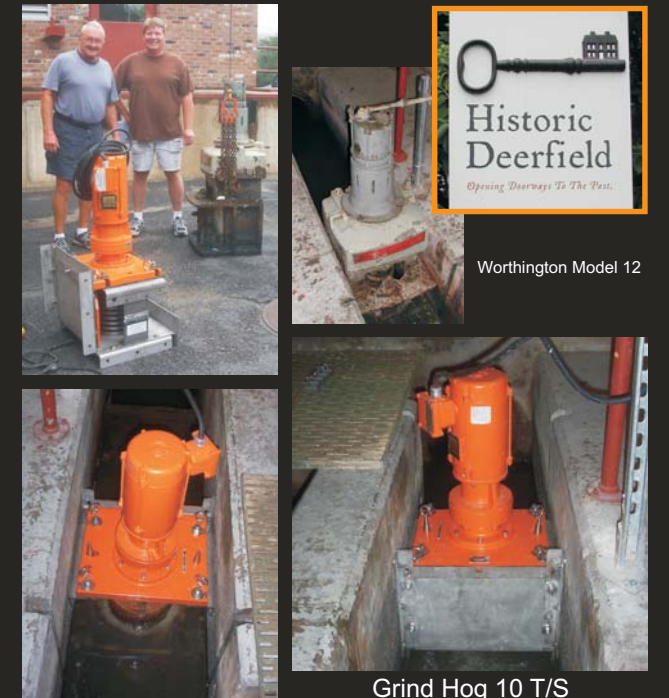
Grind Hog^{T.M.}

Retrofit alternatives...

Worthington Model 20



Grind Hog 16 T/S



Worthington Model 12

Grind Hog 10 T/S