

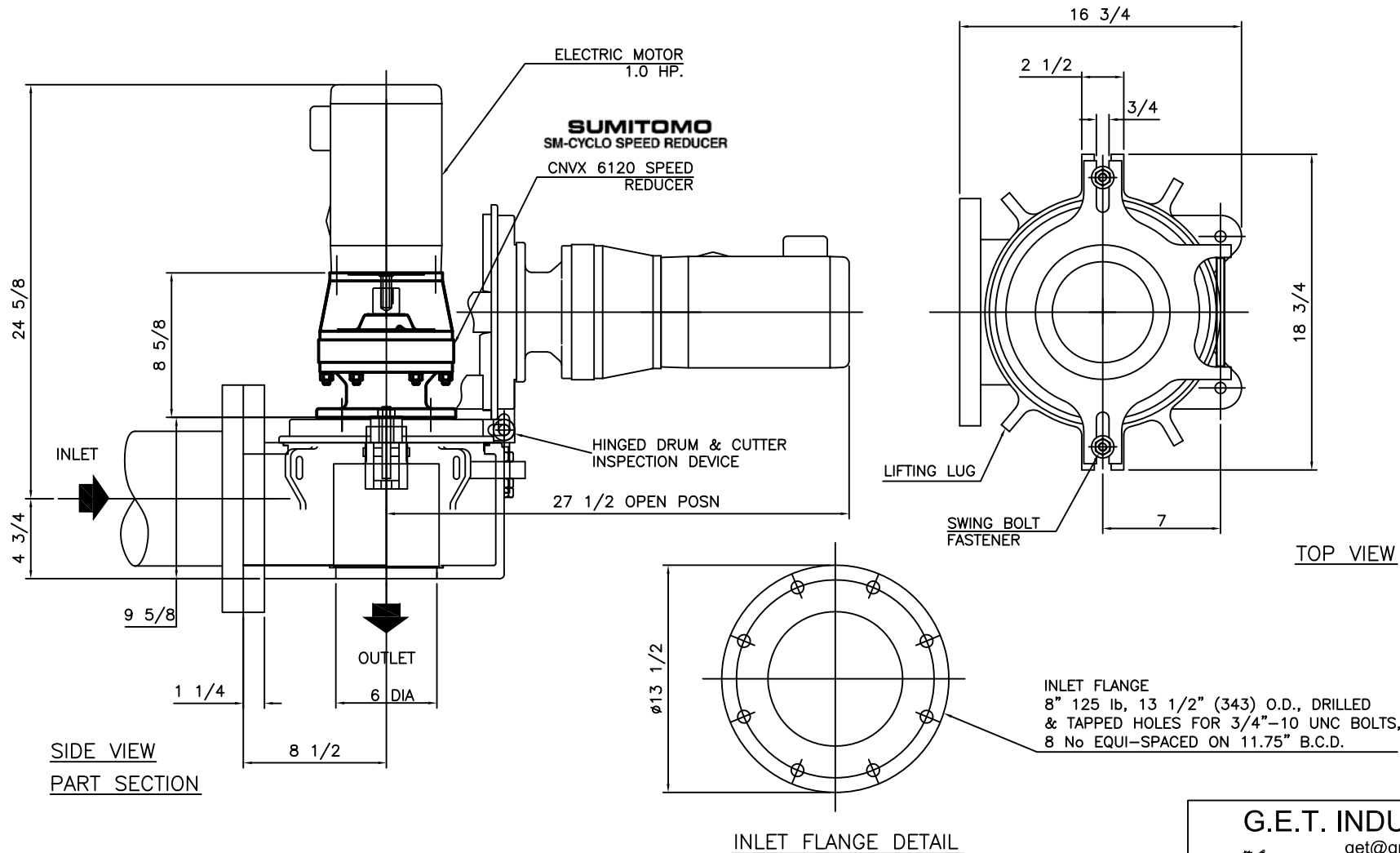


RELEASE EYEBOLTS
SECURING COVER
AND
SWING CUTTING
MECHANISM CLEAR
OF CASING
FOR INSPECTION
AND MAINTENANCE

MODEL 7A-8 **HB** HEAVY DUTY

STANDARD


SERIAL No. X



MATERIALS OF CONSTRUCTION & GENERAL ENGINEERING DATA

HOUSING:	GREY IRON	CAPACITY	315 GPM (US) / 19.9 L/s	INLET AREA	34 SQ IN	219.4 cm sq							
DRUM (SCREEN):	DUCTILE IRON (ASTM 536 GRADE 60-45-18)	DRUM SPEED	50 RPM	OUTLET AREA	20 SQ IN	129 cm sq							
SHEAR BARS:	AISI-A2 HIGH ALLOY TOOL STEEL	ROTATION	C / CLOCKWISE	DRUM DIAMETER	6.5 IN	16.5 cm							
CUTTING BARS:	AISI-01 TOOL STEEL REVERSIBLE	SLOT WIDTH	.470 IN / 12 mm	WEIGHT	225 LB	102 kg							
HARDWARE & FASTENERS:	304 STAINLESS STEEL	No. OF SLOTS	20										
MOTOR MANUFACTURER:		POWER:	/ 3 / 60	RPM:	1750	REDUCER:	SM - CYCLO	MODEL:	V6120				
STYLE:	TEFC (IP55)	HP:	1.0	KW:	0.746	FRAME:	56C	FLANGE:	'C'	RATIO:	35:1	RATING:	4.27 HP

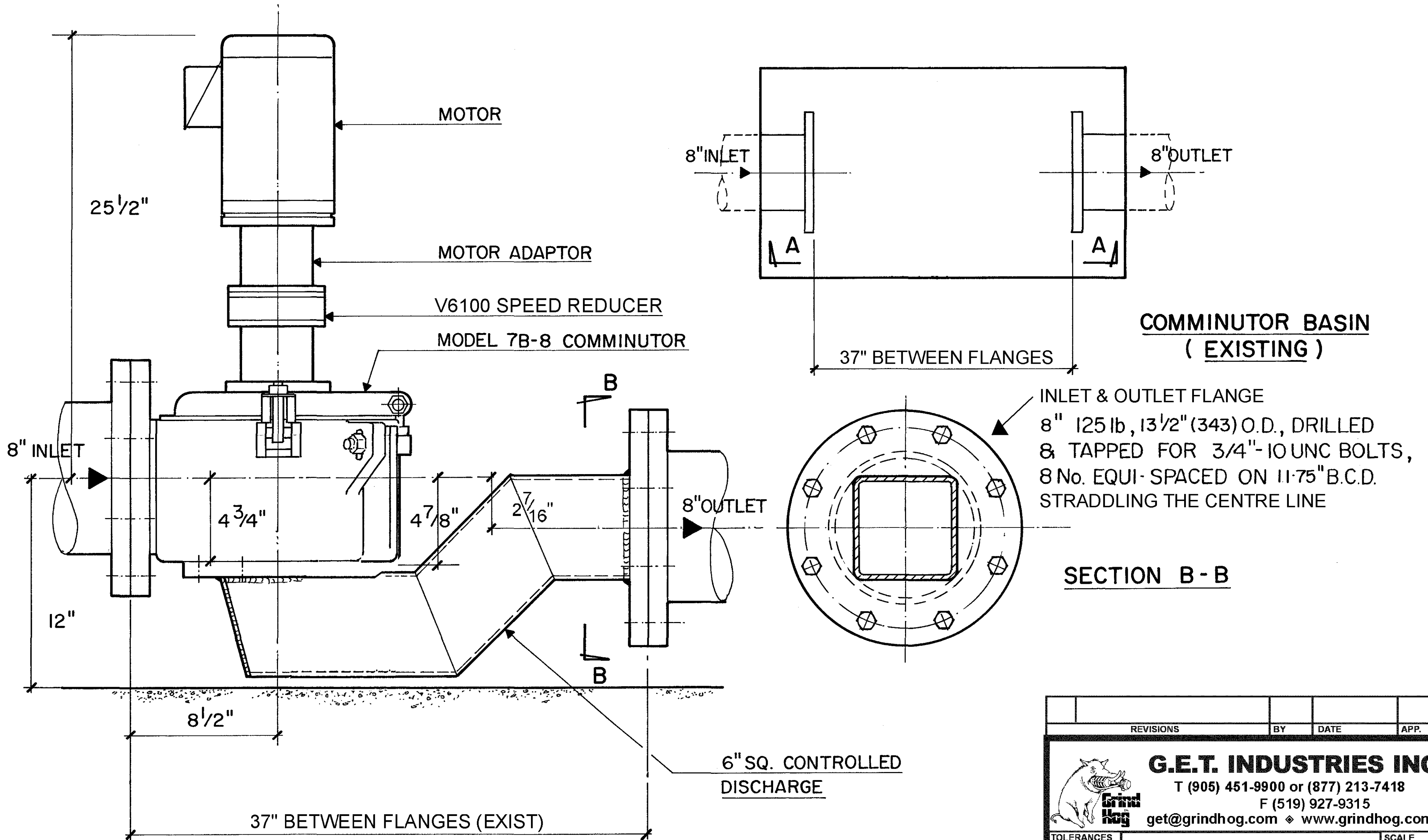
G.E.T. INDUSTRIES INC.
get@grindhog.com
www.grindhog.com
1 (877) 213-7418



TIME/PURPOSE	INFO.	SCALE
DECIMAL	INFO.	NTS
FRACTIONAL	INFO.	DRAWN BY
ANGULAR	INFO.	G.P.
DATE	INFO.	APPROVED BY
FILE NO.	INFO.	W.D.M.
DWG. No.	6 0085	REV.

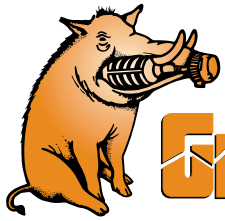
Grind Hog MODEL 7B-8 (CAPACITY: 315 GPM)

REPLACEMENT OF JONES & ATTWOOD 7RE

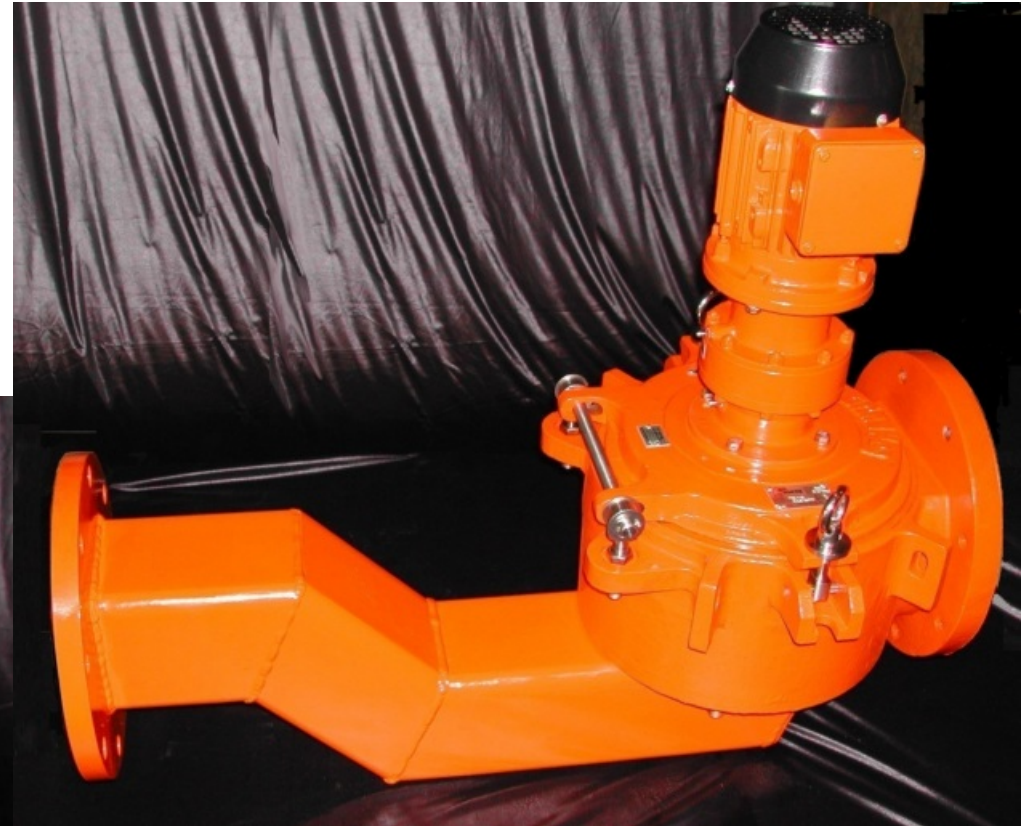
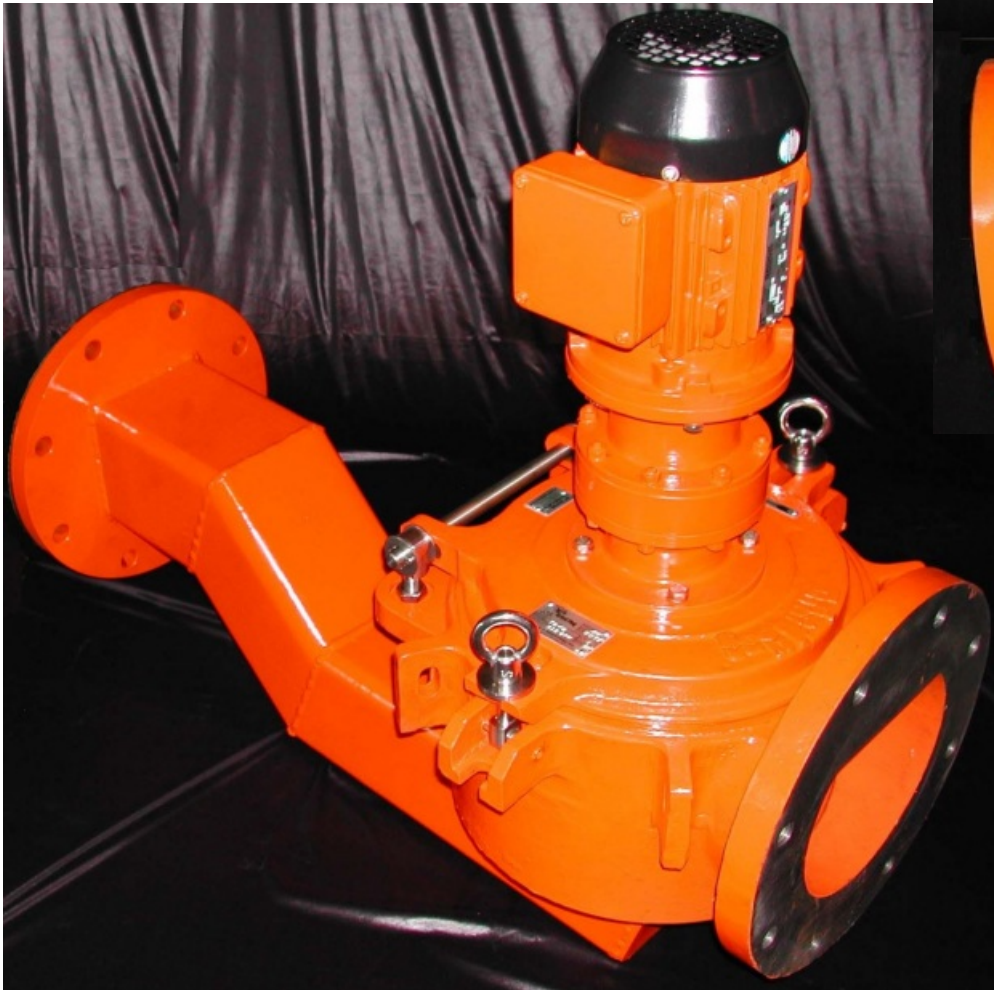


Dimensions shown should be confirmed by field measurements

REVISIONS	BY	DATE	APP.
 G.E.T. INDUSTRIES INC. T (905) 451-9900 or (877) 213-7418 F (519) 927-9315 get@grindhog.com ♦ www.grindhog.com			
TOLERANCES			SCALE
±			
DECIMAL			DRAWN BY
±			
FRACTIONAL			APPROVED BY
±			
ANGULAR			
±			
DATE	PROJECT NO.	DRAWING NO.	REV.
May 2009		9 0062	



Grind Hog™ MODEL 7B-8



With fabricated return bend

G.E.T. Industries Inc.

Toll Free: (877) 213-7418

E-mail: get@grindhog.com ♦ Web:

www.grindhog.com