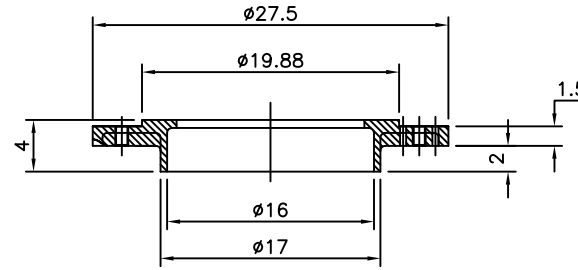
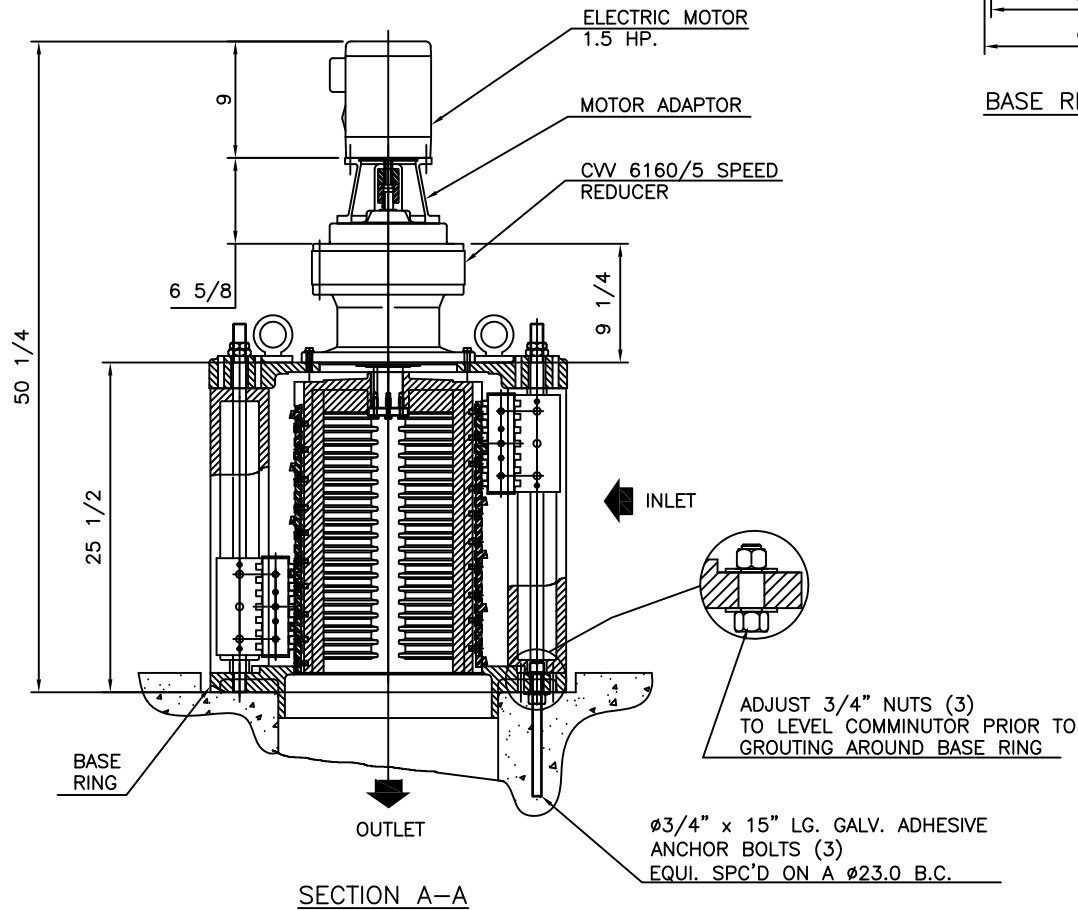


MODEL 16B STANDARD

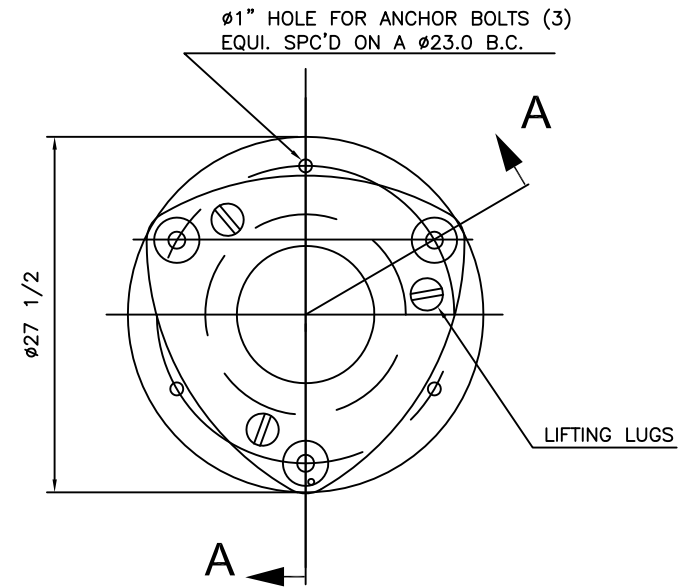
SERIAL No. X



BASE RING DETAIL




SECTION A-A



TOP VIEW OF COMMUNOTOR

MATERIALS OF CONSTRUCTION & GENERAL ENGINEERING DATA

HOUSING:	GREY IRON	CAPACITY	4.5 MGD (US) / 17000 m3/ day	INLET AREA	274 SQ IN	1767 cm sq							
DRUM (SCREEN):	DUCTILE IRON (ASTM 536 GRADE 60-45-18)	DRUM SPEED	30 RPM	OUTLET AREA	121 SQ IN	780.6 cm sq							
SHEAR BARS:	AISI-A2 HIGH ALLOY TOOL STEEL	ROTATION	CLOCKWISE	DRUM DIAMETER	14.5 IN	36.8 cm							
CUTTING BARS:	AISI-01 TOOL STEEL REVERSIBLE	SLOT WIDTH	.470 IN / 12 mm	WEIGHT	850 LB	385 kg							
HARDWARE & FASTENERS:	304 STAINLESS STEEL	No. OF SLOTS	76										
MOTOR MANUFACTURER:		POWER:	X	RPM:	1750	REDUCER:	SM - CYCLO	MODEL:	V6160				
STYLE:	TEFC (IP55)	HP:	1.5	KW:	1.12	FRAME:	56C	FLANGE:	'C'	RATIO:	59:1	RATING:	7.72 HP



G.E.T. INDUSTRIES INC.
get@grindhog.com
www.grindhog.com
1 (877) 213-7418

TOLERANCES	INFO.	SCALE	
DECIMAL		INFO.	NTS
FRACTIONAL		INFO.	DRAWN BY
ANGULAR		INFO.	G.P.
DATE	DATE	APPROVED BY	
DWG. No.	6 0230	W.D.M.	
		REV.	

