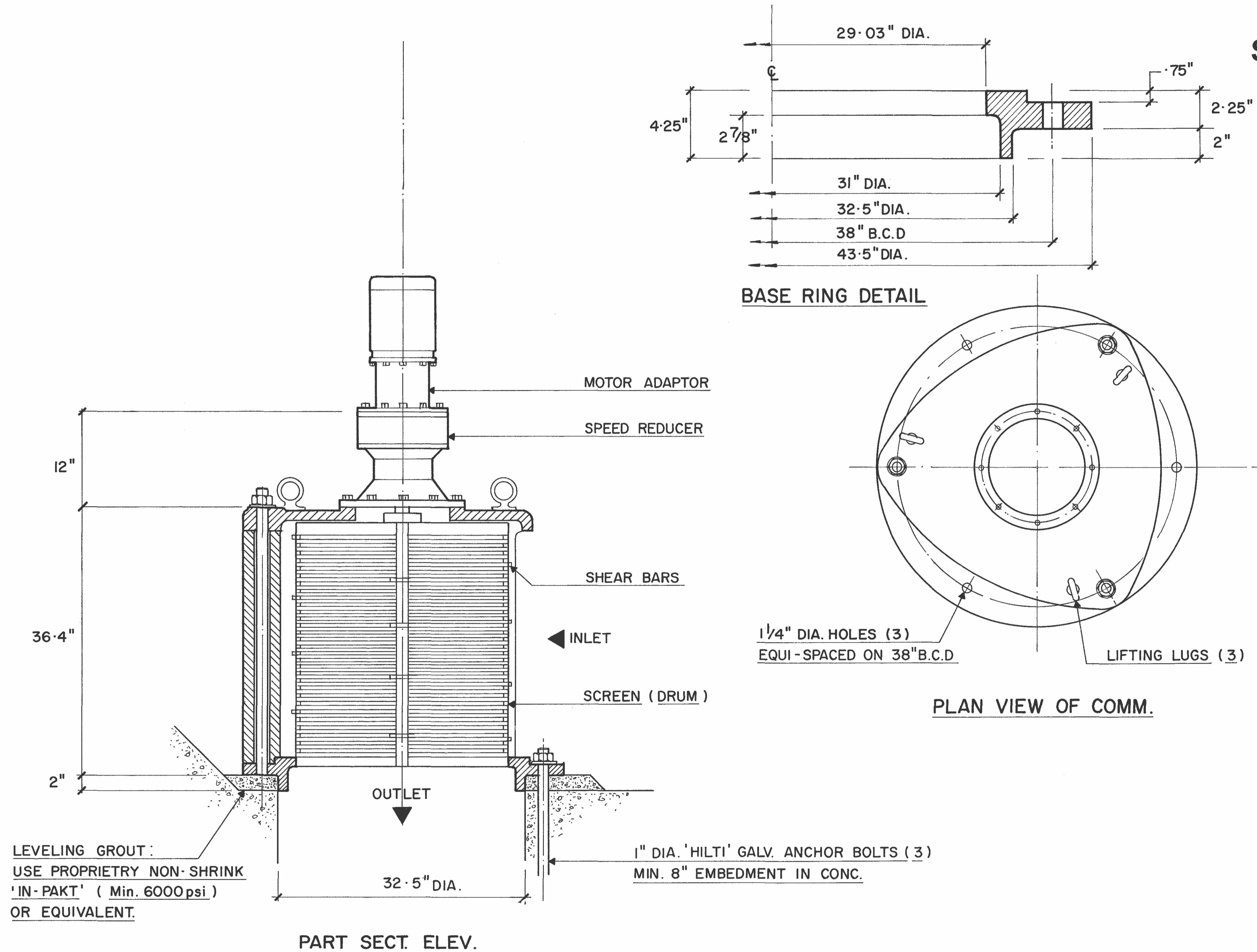


MODEL 26A STANDARD SERIAL No. _____



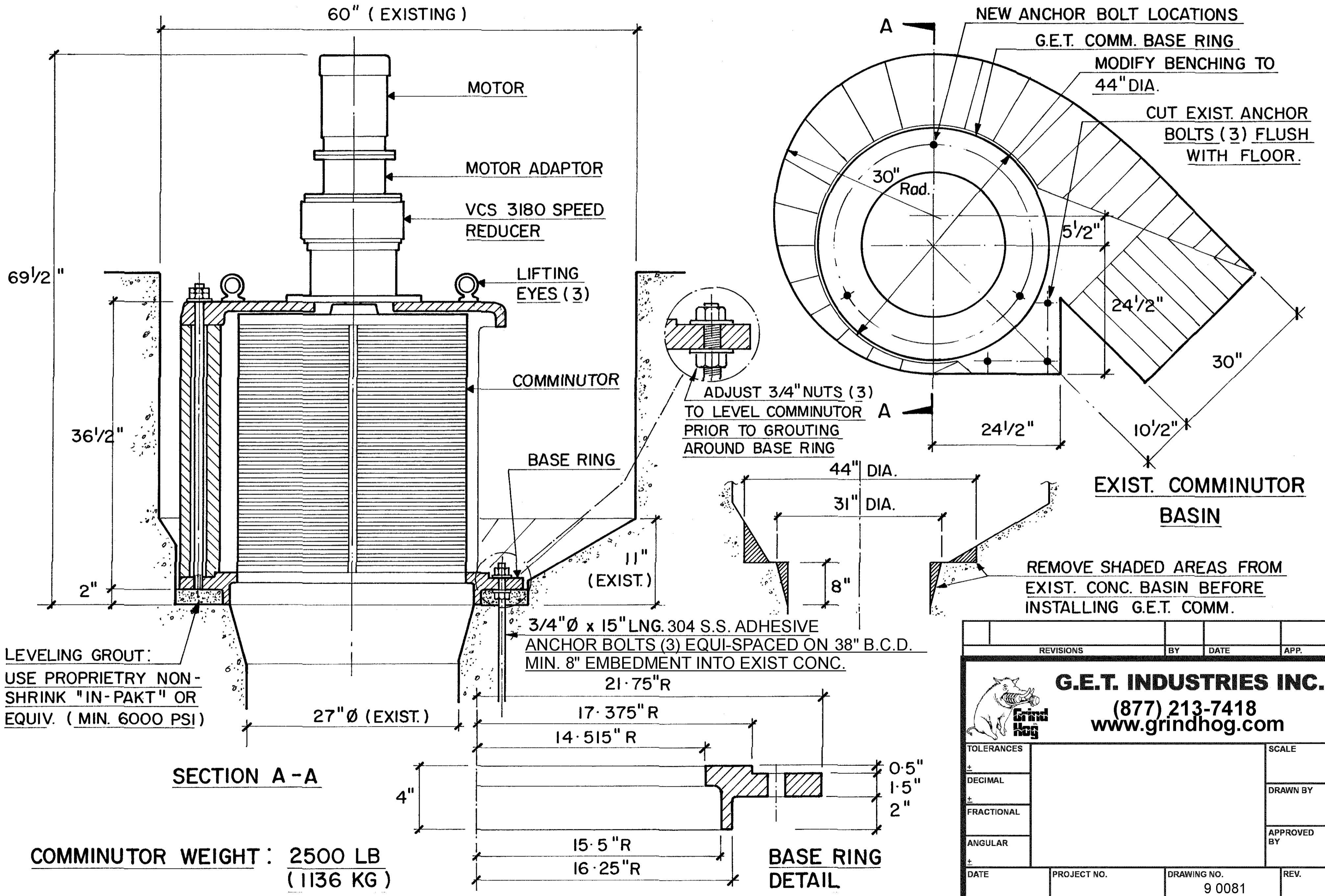
MATERIALS OF CONSTRUCTION & GENERAL ENGINEERING DATA

HOUSING:	GREY IRON	CAPACITY:	20 MGD (US)/75700 m ³ /day	INLET AREA:	1076 sq in 6942 cm sq
DRUM (SCREEN):	DUCTILE IRON (ASTM 536 GRADE 60-45-18)	DRUM SPEED:	30 RPM	OUTLET AREA:	537 sq in 3465 cm sq
SHEAR BARS:	AISI-A2 HIGH ALLOY TOOL STEEL	ROTATION:	CLOCKWISE	DRUM DIAMETER:	29 in 737 cm
CUTTING BARS:	AISI-01 TOOL STEEL REVERSIBLE	SLOT WIDTH:	0.470 in / 12 mm	WEIGHT:	2500 lb 1136 kg
HARDWARE & FASTENERS:	304 STAINLESS STEEL	NO OF SLOTS:	116		
MOTOR MANUFACTURER:		POWER:	/ /	RPM:	1750
STYLE: TEFC (IP55)	HP: 3	KW: 2.24	FRAME: 182TC	FLANGE: 'C'	SM-CYCLO REDUCER MODEL: V6170
				RATIO: 59:1	RATING: 16.1 HP


REVISIONS	BY	DATE	APP.
G.E.T. INDUSTRIES INC.			
(877) 213-7418			
www.grindhog.com			
TOLERANCES			SCALE
±			NTS
DECIMAL			DRAWN BY
FRACTIONAL			APPROVED BY
ANGULAR			WDM
DATE	PROJECT NO.	DRAWING NO.	REV.
		6 0290	

Grind Hog MODEL 26A (CAPACITY: 20 USMGD)

REPLACEMENT OF JONES & ATTWOOD MODEL 25R



COMMINUTOR WEIGHT: 2500 LB (1136 KG)

REVISIONS		BY	DATE	APP.
 G.E.T. INDUSTRIES INC. (877) 213-7418 www.grindhog.com				
TOLERANCES		SCALE		
±	DECIMAL	DRAWN BY		
±	FRACTIONAL			
ANGULAR		APPROVED BY		
±	DATE	PROJECT NO.	DRAWING NO.	REV.
			9 0081	