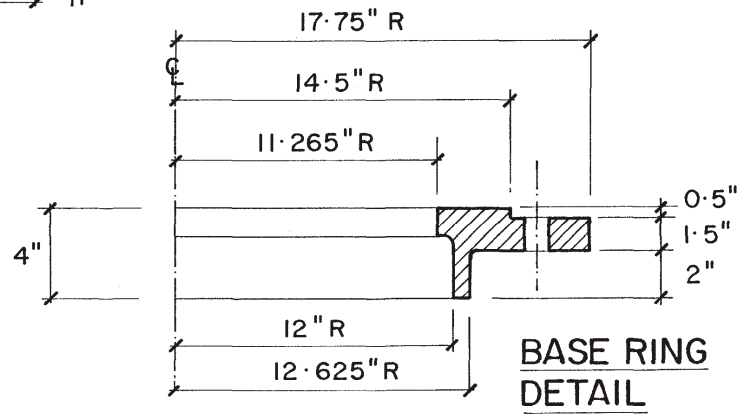
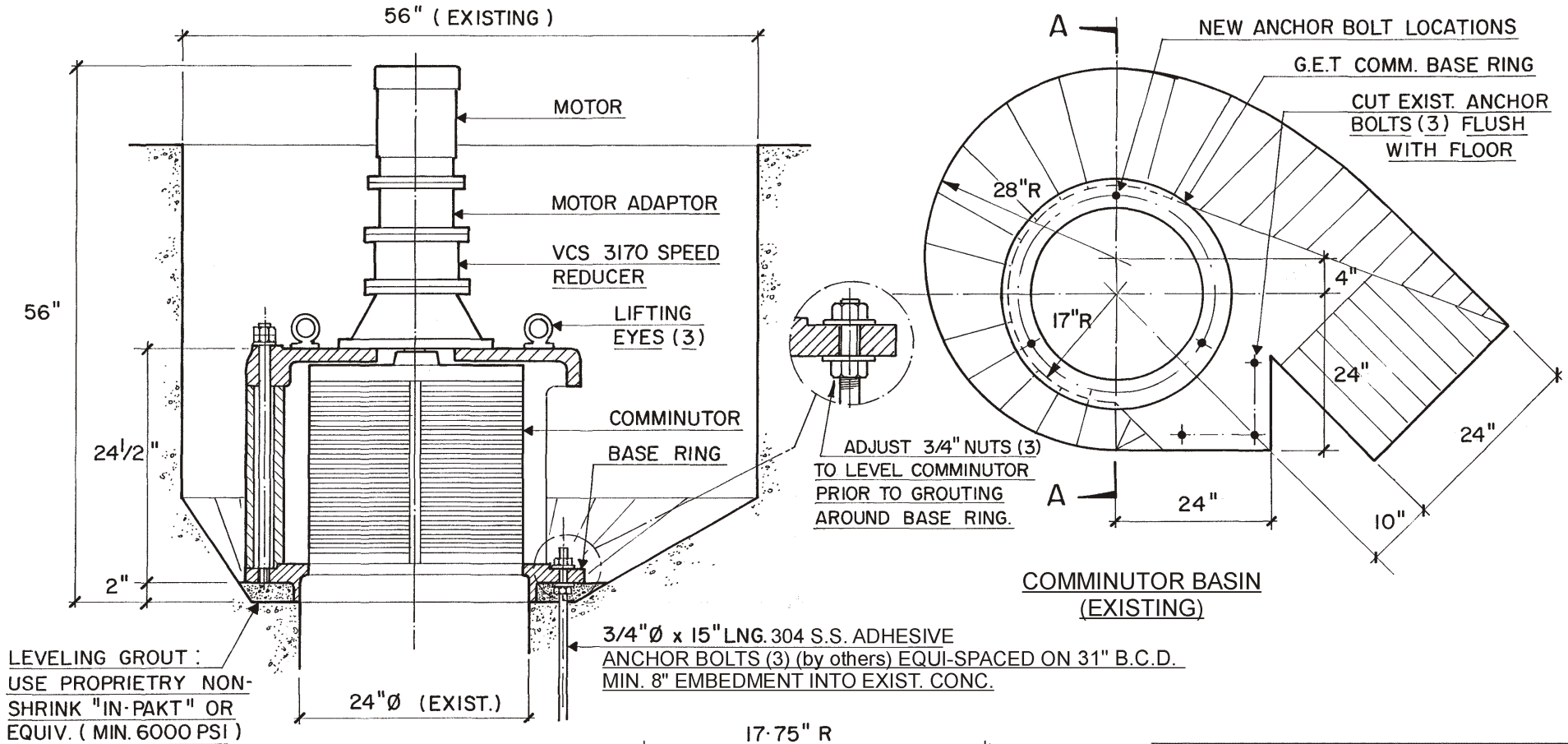



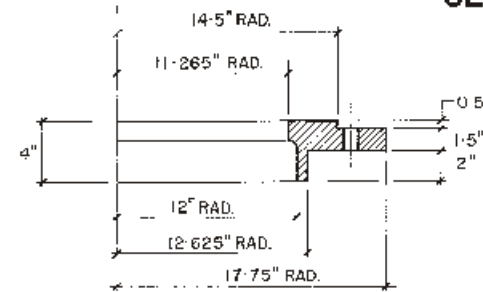
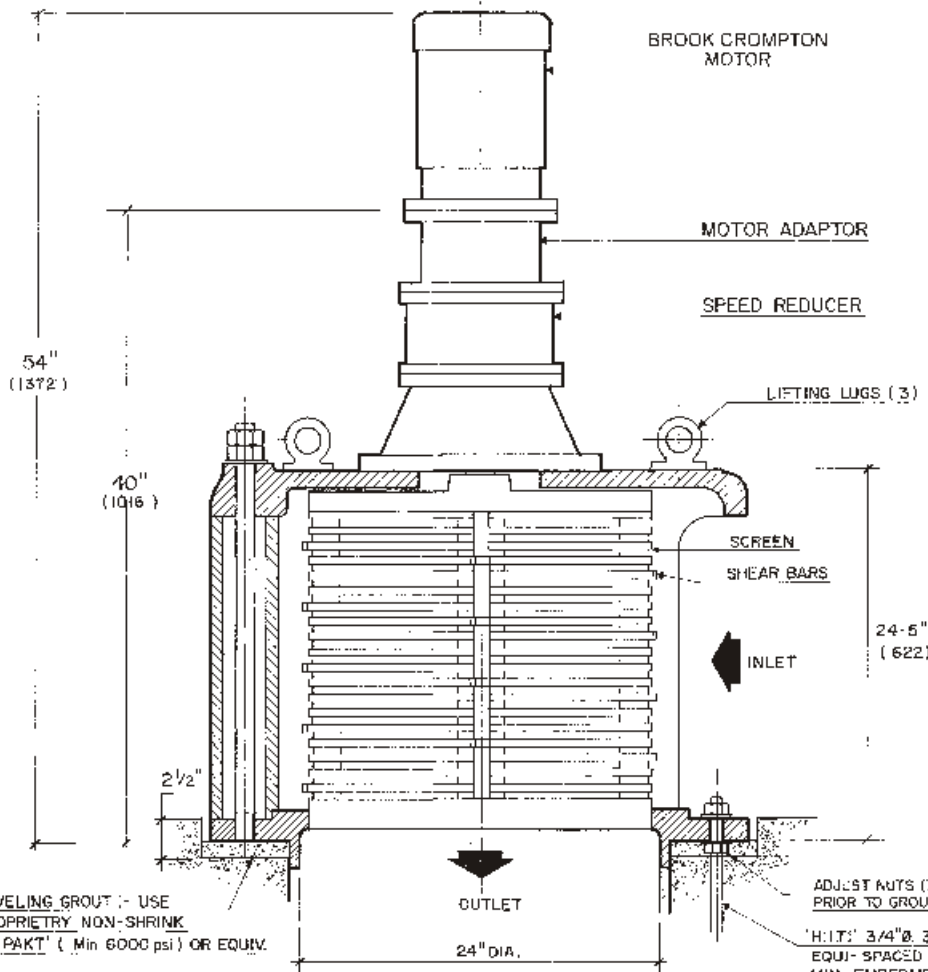
# Grind Hog MODEL 24A (CAPACITY: 10 USMGD)

## REPLACEMENT OF JONES & ATTWOOD MODEL 25RM

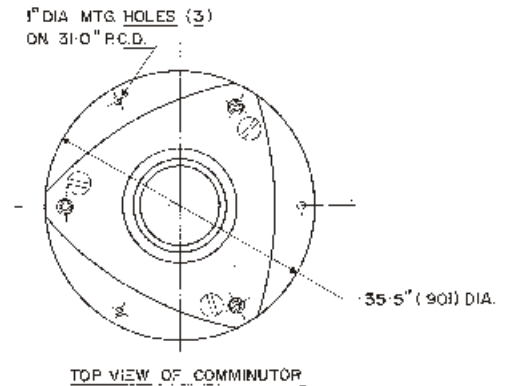


REVISIONS	BY	DATE	APP.
 <b>G.E.T. INDUSTRIES INC.</b> Box 640, Brampton, Ontario L6V 2L6 T(905) 451-9900 • F(905) 451-5376 get@grindhog.com • www.grindhog.com			
TOLERANCES			SCALE
±			DRAWN BY
DECIMAL			
±			
FRACTIONAL			APPROVED BY
ANGULAR			
±			
DATE	PROJECT NO.	DRAWING NO.	REV.
		retro.24A-25RM	

**MODEL 24A  
STANDARD**  
SERIAL No. \_\_\_\_\_



BASE RING DETAIL



TOP VIEW OF COMMUNOTOR

LEVELING GROUT :- USE  
PROPRIETARY NON-SHRINK  
'IN-PAK' ( Min 6000 psi ) OR EQUIV.

ADJUST NUTS (3) TO LEVEL COMM.  
PRIOR TO GROUTING BASE RING.

H.L.T: 3/4" Ø 316 SS ANCHOR BOLTS (3)  
EQUI- SPACED ON 31.0" B.C.D.  
MIN. EMBEDMENT INTO CONC. 8"

**MATERIALS OF CONSTRUCTION & GENERAL ENGINEERING DATA**

HOUSING:	GREY IRON	CAPACITY:	10 MGD (US)/37800 m <sup>3</sup> /day	INLET AREA:	525 sq in / 3393 cm sq
DRUM (SCREEN):	DUCTILE IRON (ASTM 536 GRADE 30-45-18)	DRUM SPEED:	30 RPM	OUTLET AREA:	324 sq in / 2090 cm sq
SHEAR BARS:	AISI-A2 HIGH ALLOY TOOL STEEL	ROTATION:	CLOCKWISE	DRUM DIAMETER:	22.5 in / 572 cm
CUTTING BARS:	AISI-01 TOOL STEEL REVERSIBLE	SLOT WIDTH:	0.470 in / 12 mm	WEIGHT:	1256 lb / 574 kg
HARDWARE & FASTENERS:	304 STAINLESS STEEL	NO OF SLOTS:	75		
MOTOR MANUFACTURER:	Brook-Crompton	POWER:	_____ / _____ / _____	RPM:	1750
STYLE: TEEC (IP55)	HP: 3	KW: 2.24	FRAME: 182TC	FLANGE:	IC
				SM-CYCLO REDUCER MODEL:	V6170
				RATIO:	58:1
				RATING:	11.1 IIP

<b>G.E.T. INDUSTRIES INC.</b>	
(877) 213-7418	
www.grindhog.com	
REVISED	SCALE
DATE	NTS
APPROVED BY	WDM
DATE	REV.
Nov 2006	JD.21A



# Grind Hog<sup>TM</sup>

Town of the Blue Mountains  
Craigleith Sewage  
Treatment Plant Extension  
2002



PREVIOUSLY INSTALLED  
JONES & ATTWOOD  
25RM

## CONTRACTOR

Maple Engineering &  
Construction Ltd.  
Brampton, ON

## ENGINEER

C.C. Tatham & Associates Ltd.  
Collingwood, ON



G.E.T. INDUSTRIES INC.

Toll Free: (877) 213-7418  
E-mail: [get@grindhog.com](mailto:get@grindhog.com) ♦ Web: [www.grindhog.com](http://www.grindhog.com)



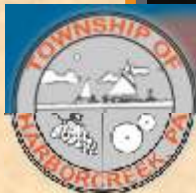


# Grind Hog<sup>TM</sup>

MODEL 24ASX

5 Mile Pump Station  
Harborcreek Township Sewer Authority  
Erie County, PA

Replacing  
Smith & Loveless  
25RM



Harborcreek Township

in Erie County, PA

**GRIND HOG™ CONTROL PANEL**  
Installed with 25'  
Power Control Cable



**GRIND HOG™ 24ASX**  
Replaced Existing  
Smith & Loveless 25RM



**G.E.T. INDUSTRIES INC.**

Toll Free: (877) 213-7418  
E-mail: [get@grindhog.com](mailto:get@grindhog.com) ♦ Web: [www.grindhog.com](http://www.grindhog.com)