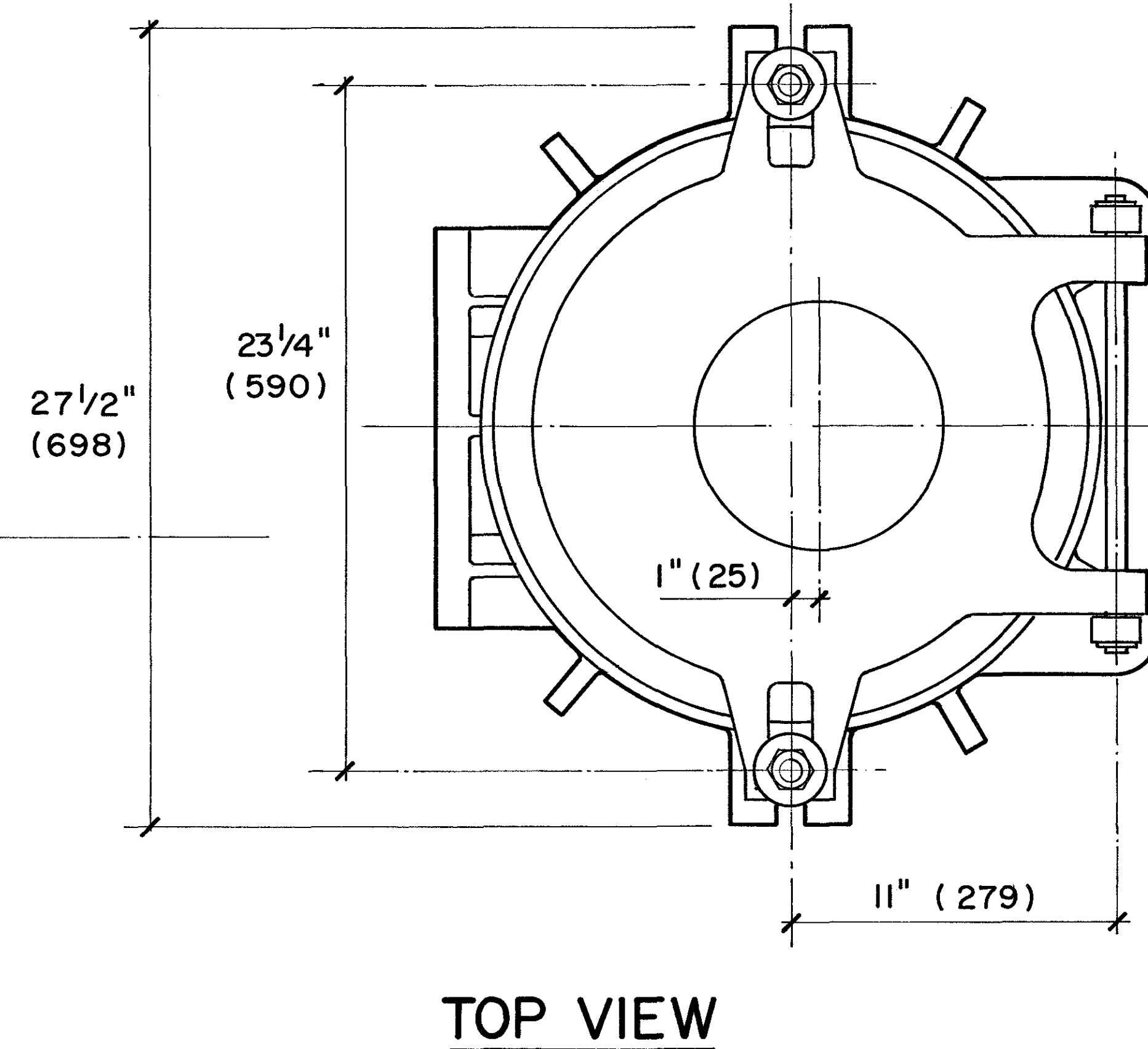
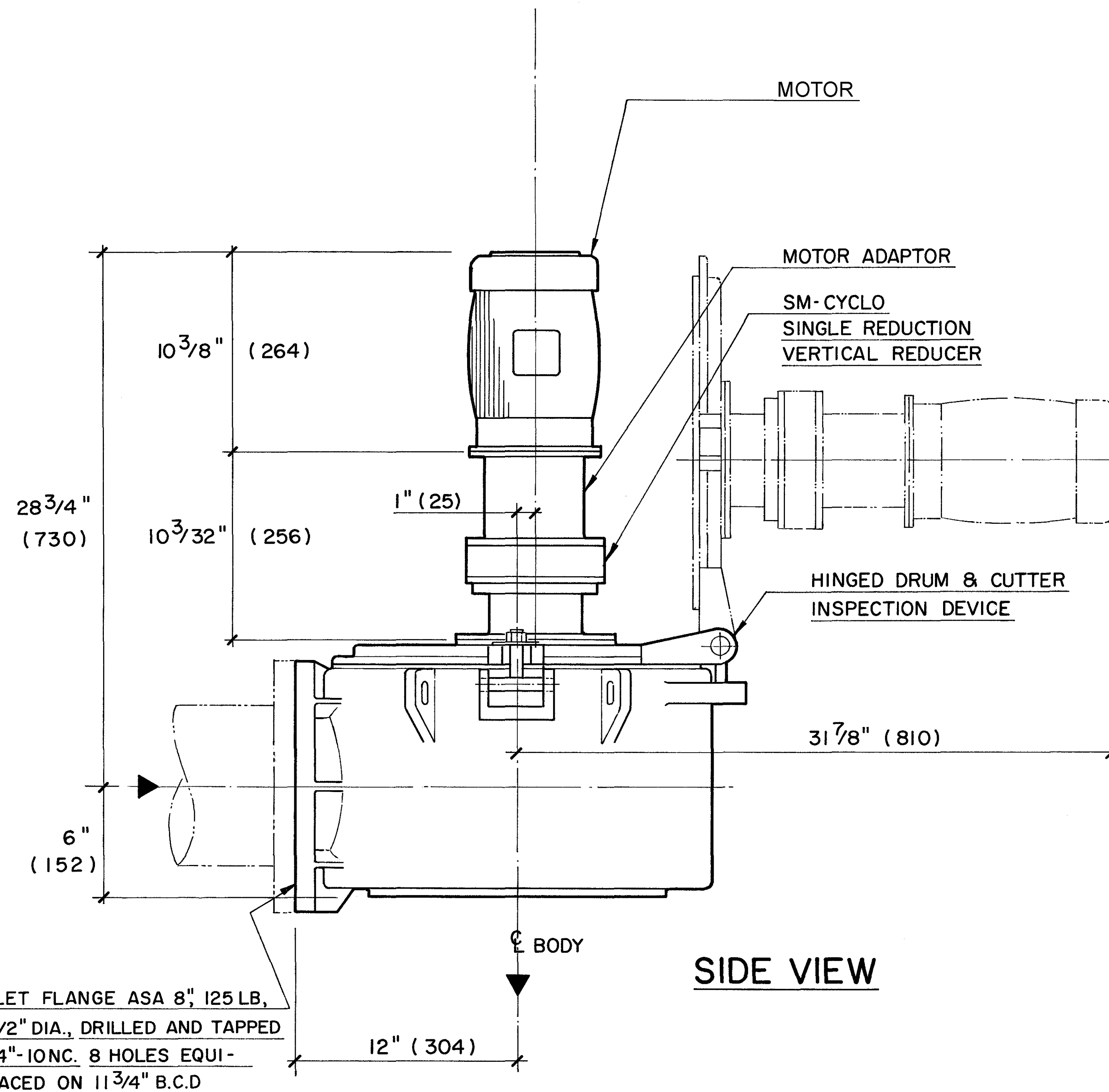


MODEL 10A
FREE DISCHARGE
 SERIAL No. _____



INLET FLANGE ASA 8", I25 LB,
 13 1/2" DIA., DRILLED AND TAPPED
 3/4"-10NC. 8 HOLES EQUI-
 SPACED ON 11 3/4" B.C.D

MATERIALS OF CONSTRUCTION & GENERAL ENGINEERING DATA

HOUSING:	GREY IRON	CAPACITY:	850 GPM (US) / 53.6 L/s	INLET AREA:	97 sq in 626 cm sq
DRUM (SCREEN):	DUCTILE IRON (ASTM 536 GRADE 60-45-18)	DRUM SPEED:	50 RPM	OUTLET AREA:	45 sq in 290 cm sq
SHEAR BARS:	AISI-A2 HIGH ALLOY TOOL STEEL	ROTATION:	C / CLOCKWISE	DRUM DIAMETER:	9.4 in 23.9 cm
CUTTING BARS:	AISI-01 TOOL STEEL REVERSIBLE	SLOT WIDTH:	0.470 in / 12 mm	WEIGHT:	430 lb 195 kg
HARDWARE & FASTENERS:	304 STAINLESS STEEL	NO OF SLOTS:	36		
MOTOR MANUFACTURER:		POWER:	_____ / _____ / _____	RPM:	1750
STYLE:	TEFC (IP55)	HP:	1.0	KW:	746
		FRAME:	56C	FLANGE:	'C'
				RATIO:	35:1
				RATING:	4.27 HP
				SM-CYCLO REDUCER MODEL:	V6120

REVISIONS		BY	DATE	APP.
G.E.T. INDUSTRIES INC.				
(877) 213-7418				
www.grindhog.com				
TOLERANCES				SCALE
DECIMAL				DRAWN BY
FRACTIONAL				APPROVED BY
ANGULAR				
DATE	PROJECT NO.	DRAWING NO.	REV.	
		6 0130 & 9 0015		