



RELEASE EYEBOLTS
SECURING COVER
AND
SWING CUTTING
MECHANISM CLEAR
OF CASING
FOR INSPECTION
AND MAINTENANCE

MODEL 5A **HB** HEAVY DUTY

FREE DISCHARGE

SERIAL No. X

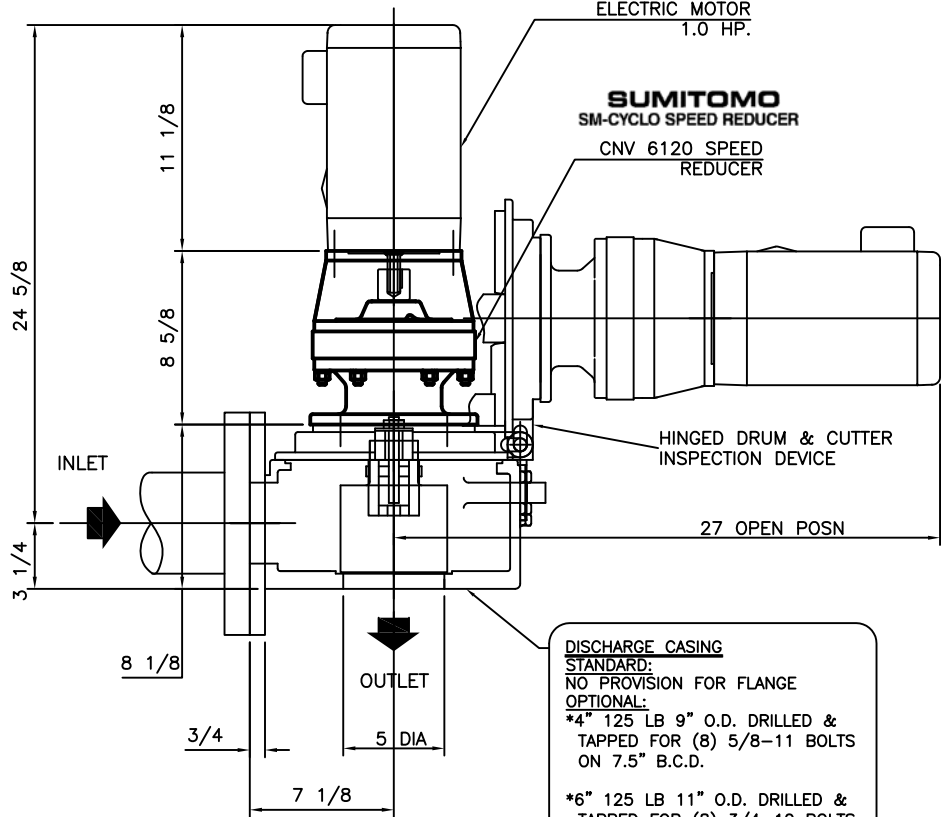


ELECTRIC MOTOR
1.0 HP.

SUMITOMO
SM-CYCLO SPEED REDUCER
CNV 6120 SPEED
REDUCER

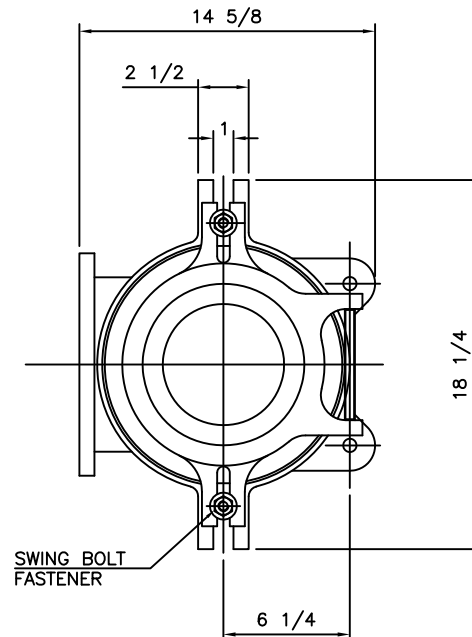
HINGED DRUM & CUTTER
INSPECTION DEVICE

27 OPEN POSN

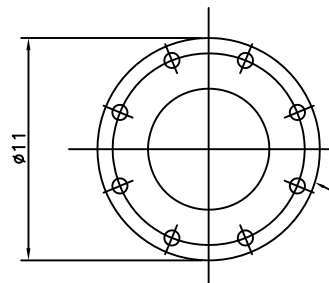


SIDE VIEW

DISCHARGE CASING
STANDARD:
NO PROVISION FOR FLANGE
OPTIONAL:
*4" 125 LB 9" O.D. DRILLED &
TAPPED FOR (8) 5/8-11 BOLTS
ON 7.5" B.C.D.
*6" 125 LB 11" O.D. DRILLED &
TAPPED FOR (8) 3/4-10 BOLTS
ON 9.5" B.C.D.



TOP VIEW



INLET FLANGE DETAIL

INLET FLANGE
6" 150 lb, 11" O.D., DRILLED
& TAPPED HOLES FOR 3/4"-10 UNC BOLTS,
8 No EQUI-SPACED ON 9.5" B.C.D.

MATERIALS OF CONSTRUCTION & GENERAL ENGINEERING DATA

HOUSING:	GREY IRON	CAPACITY	130 GPM (US) / 8.2 L/s	INLET AREA	13 SQ IN	83.9 cm sq							
DRUM (SCREEN):	DUCTILE IRON (ASTM 536 GRADE 60-45-18)	DRUM SPEED	50 RPM	OUTLET AREA	8 SQ IN	51.6 cm sq							
SHEAR BARS:	AISI-A2 HIGH ALLOY TOOL STEEL	ROTATION	C / CLOCKWISE	DRUM DIAMETER	5.3 IN	13.5 cm							
CUTTING BARS:	AISI-O1 TOOL STEEL REVERSIBLE	SLOT WIDTH	.470 IN / 12 mm	WEIGHT	170 LB	77 kg							
HARDWARE & FASTENERS:	304 STAINLESS STEEL	No. OF SLOTS	12										
MOTOR MANUFACTURER:	BALDOR	POWER:	1 / 3 / 60	RPM:	1750	REDUCER:	SM - CYCLO	MODEL:	V6120				
STYLE:	TEFC (IP55)	HP:	1.0	KW:	0.746	FRAME:	56C	FLANGE:	'C'	RATIO:	35:1	RATING:	4.27 HP



G.E.T. INDUSTRIES INC.

get@grindhog.com
www.grindhog.com
1 (877) 213-7418

TOLERANCES	INFO.	SCALE	NTS
DECIMAL	INFO.	DRAWN BY	G.P.
FRACTIONAL	INFO.	APPROVED BY	W.D.M.
ANGULAR	INFO.	Dimensional Detail	
DATE	FILE NO.	DWG. No.	REV.
MAR. 2014		6 0010, 9 0058 & 9 0200	