

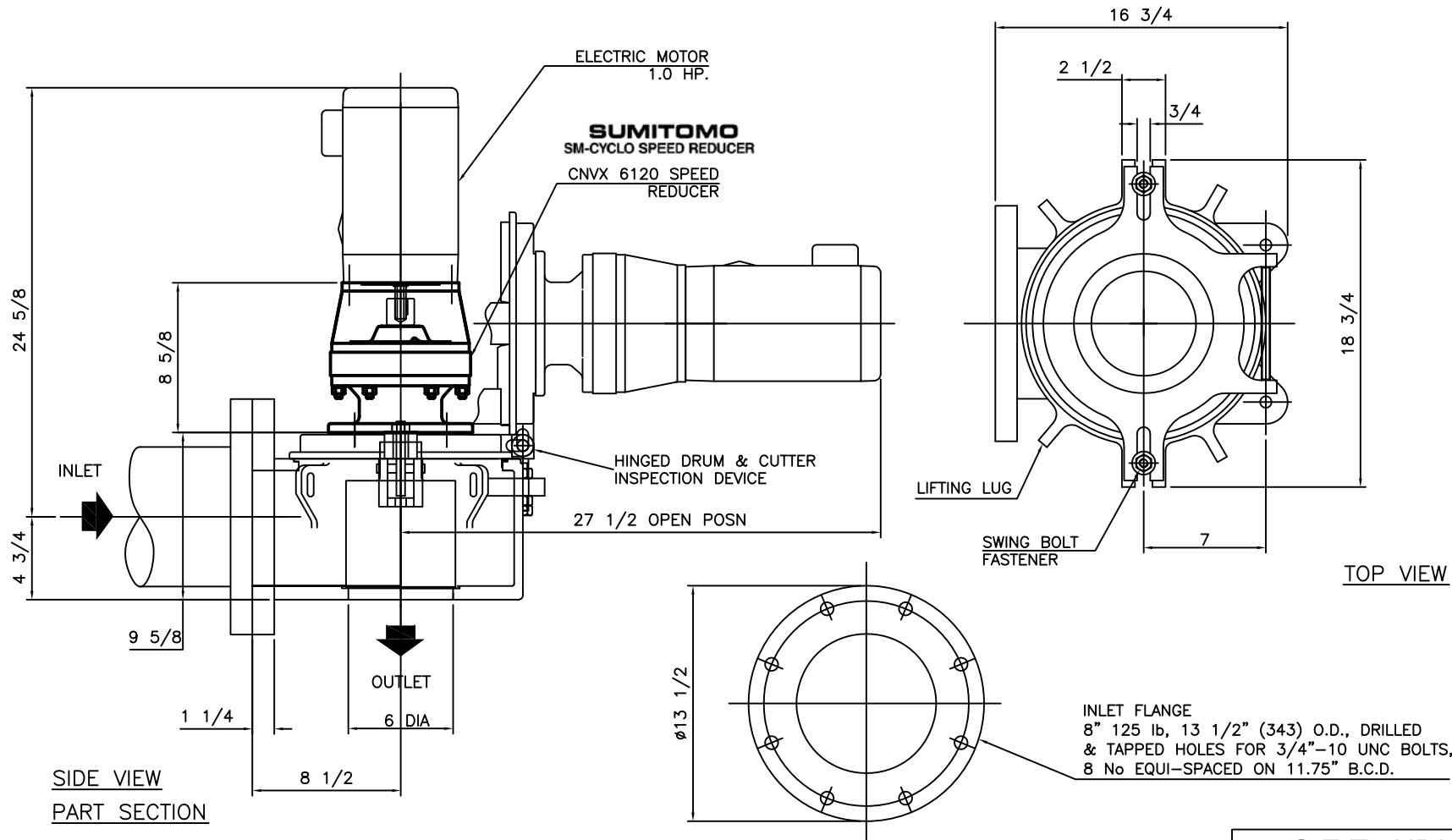


RELEASE EYEBOLTS  
SECURING COVER  
AND  
SWING CUTTING  
MECHANISM CLEAR  
OF CASING  
FOR INSPECTION  
AND MAINTENANCE

# MODEL 7A-8 **Hb** HEAVY DUTY

STANDARD

SERIAL No. X



SIDE VIEW  
PART SECTION

TOP VIEW


INLET FLANGE DETAIL

INLET FLANGE  
8" 125 lb, 13 1/2" (343) O.D., DRILLED  
& TAPPED HOLES FOR 3/4"-10 UNC BOLTS,  
8 No EQUI-SPACED ON 11.75" B.C.D.

## MATERIALS OF CONSTRUCTION & GENERAL ENGINEERING DATA

HOUSING:	GREY IRON	CAPACITY	315 GPM (US) / 19.9 L/s	INLET AREA	34 SQ IN	219.4 cm sq							
DRUM (SCREEN):	DUCTILE IRON (ASTM 536 GRADE 60-45-18)	DRUM SPEED	50 RPM	OUTLET AREA	20 SQ IN	129 cm sq							
SHEAR BARS:	AISI-A2 HIGH ALLOY TOOL STEEL	ROTATION	C / CLOCKWISE	DRUM DIAMETER	6.5 IN	16.5 cm							
CUTTING BARS:	AISI-01 TOOL STEEL REVERSIBLE	SLOT WIDTH	.470 IN / 12 mm	WEIGHT	225 LB	102 kg							
HARDWARE & FASTENERS:	304 STAINLESS STEEL	No. OF SLOTS	20										
MOTOR MANUFACTURER:		POWER:	/ 3 / 60	RPM:	1750	REDUCER:	SM - CYCLO	MODEL:	V6120				
STYLE:	TEFC (IP55)	HP:	1.0	KW:	0.746	FRAME:	56C	FLANGE:	'C'	RATIO:	35:1	RATING:	4.27 HP

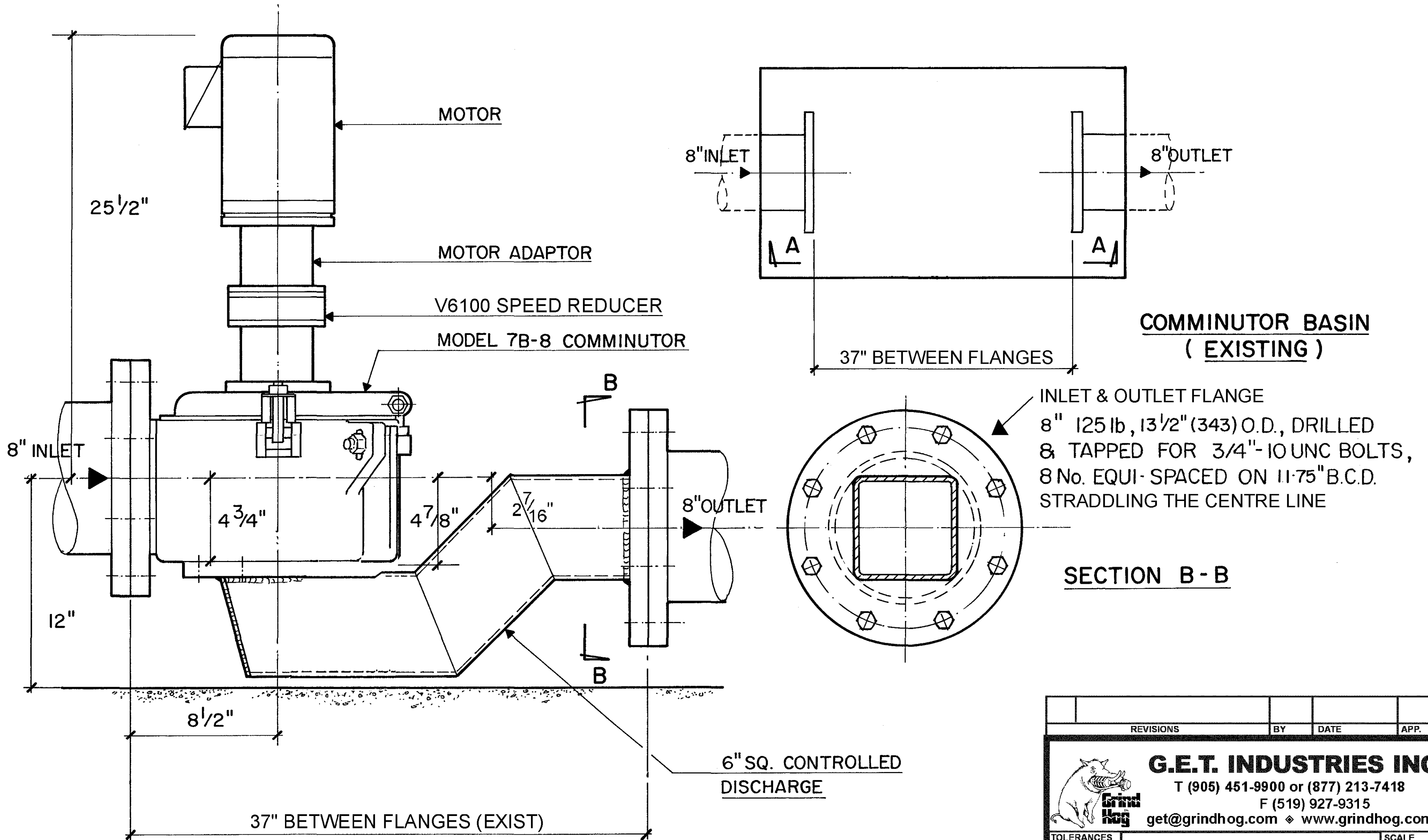
**G.E.T. INDUSTRIES INC.**  
get@grindhog.com  
www.grindhog.com  
1 (877) 213-7418



TOLERANCES	INFO.	SCALE
DECIMAL	INFO.	NTS
FRACTIONAL	INFO.	DRAWN BY
ANGULAR	INFO.	G.P.
DATE	INFO.	APPROVED BY
FILE NO.	W.D.M.	
DWG. No.	6 0085	REV.

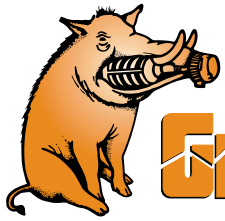
# Grind Hog MODEL 7B-8 (CAPACITY: 315 GPM)

REPLACEMENT OF JONES & ATTWOOD 7RE

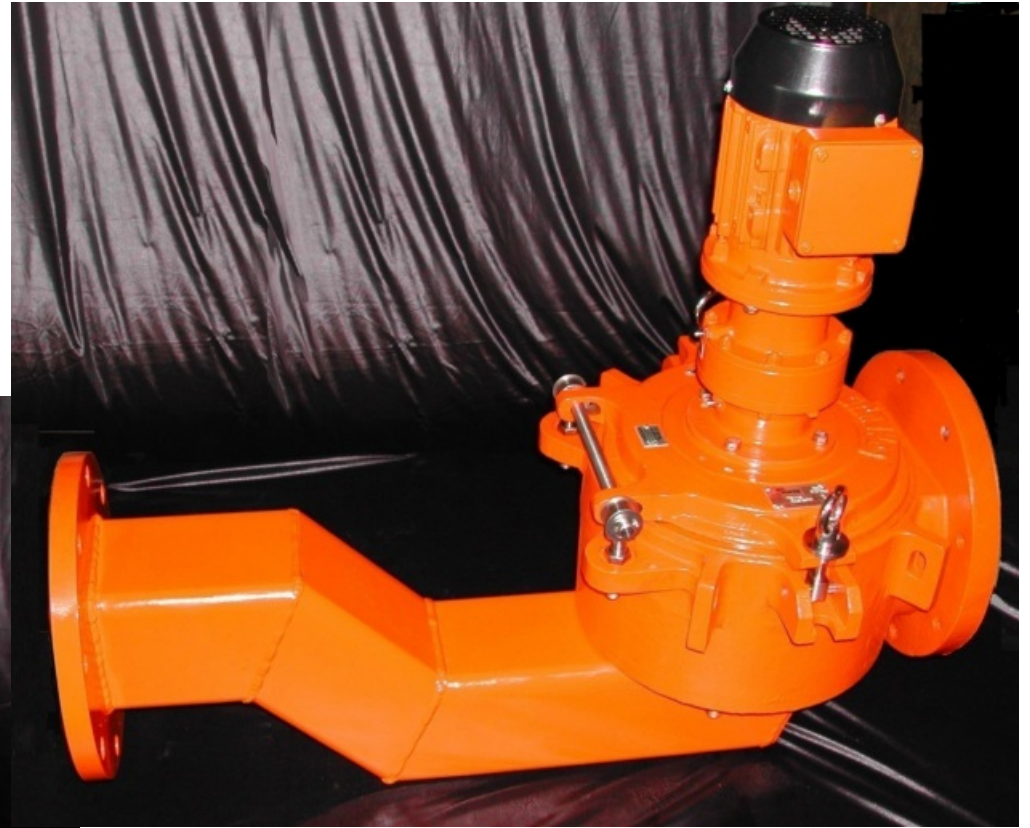
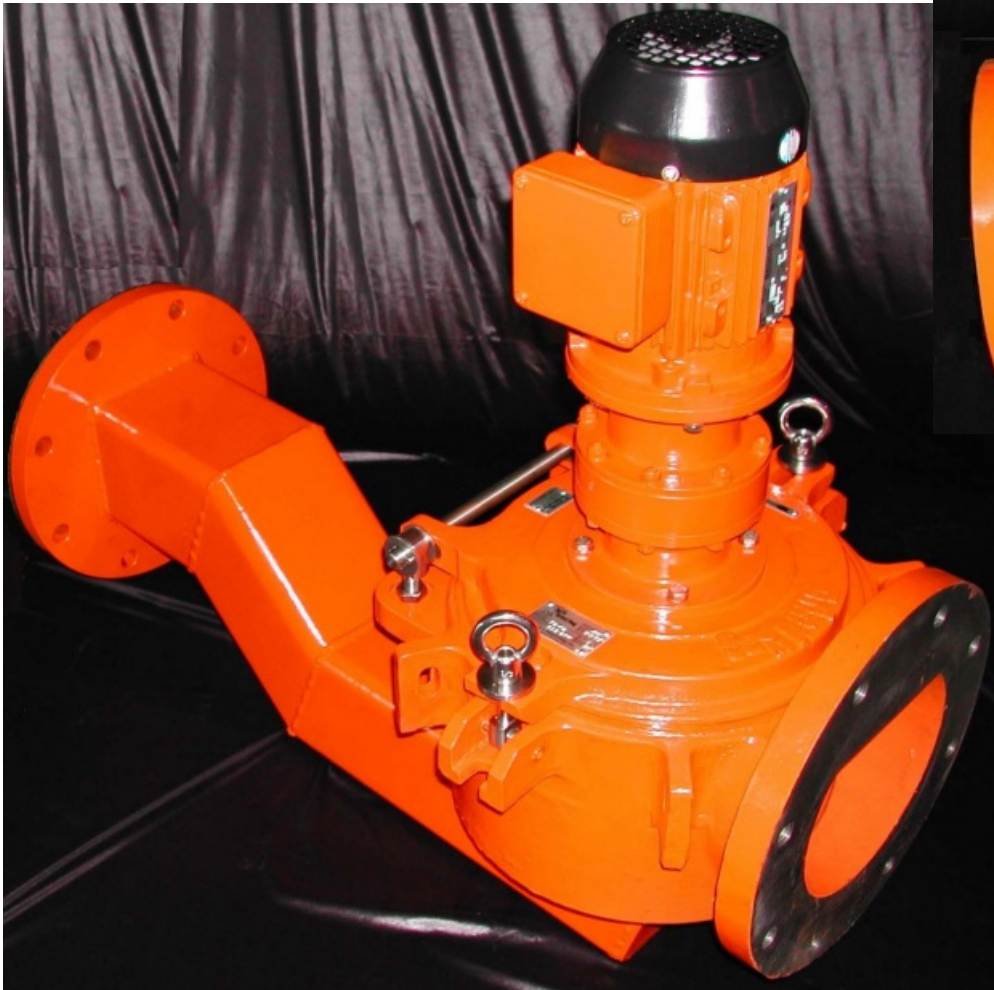


Dimensions shown should be confirmed by field measurements

REVISIONS	BY	DATE	APP.
 <b>G.E.T. INDUSTRIES INC.</b> T (905) 451-9900 or (877) 213-7418 F (519) 927-9315 get@grindhog.com ♦ www.grindhog.com			
TOLERANCES			SCALE
±			
DECIMAL			DRAWN BY
±			
FRACTIONAL			APPROVED BY
±			
ANGULAR			
±			
DATE	PROJECT NO.	DRAWING NO.	REV.
May 2009		9 0062	



**Grind Hog**™ MODEL 7B-8



With fabricated return bend

---

**G.E.T. Industries Inc.**

Toll Free: (877) 213-7418

E-mail: [get@grindhog.com](mailto:get@grindhog.com) ♦ Web:

[www.grindhog.com](http://www.grindhog.com)