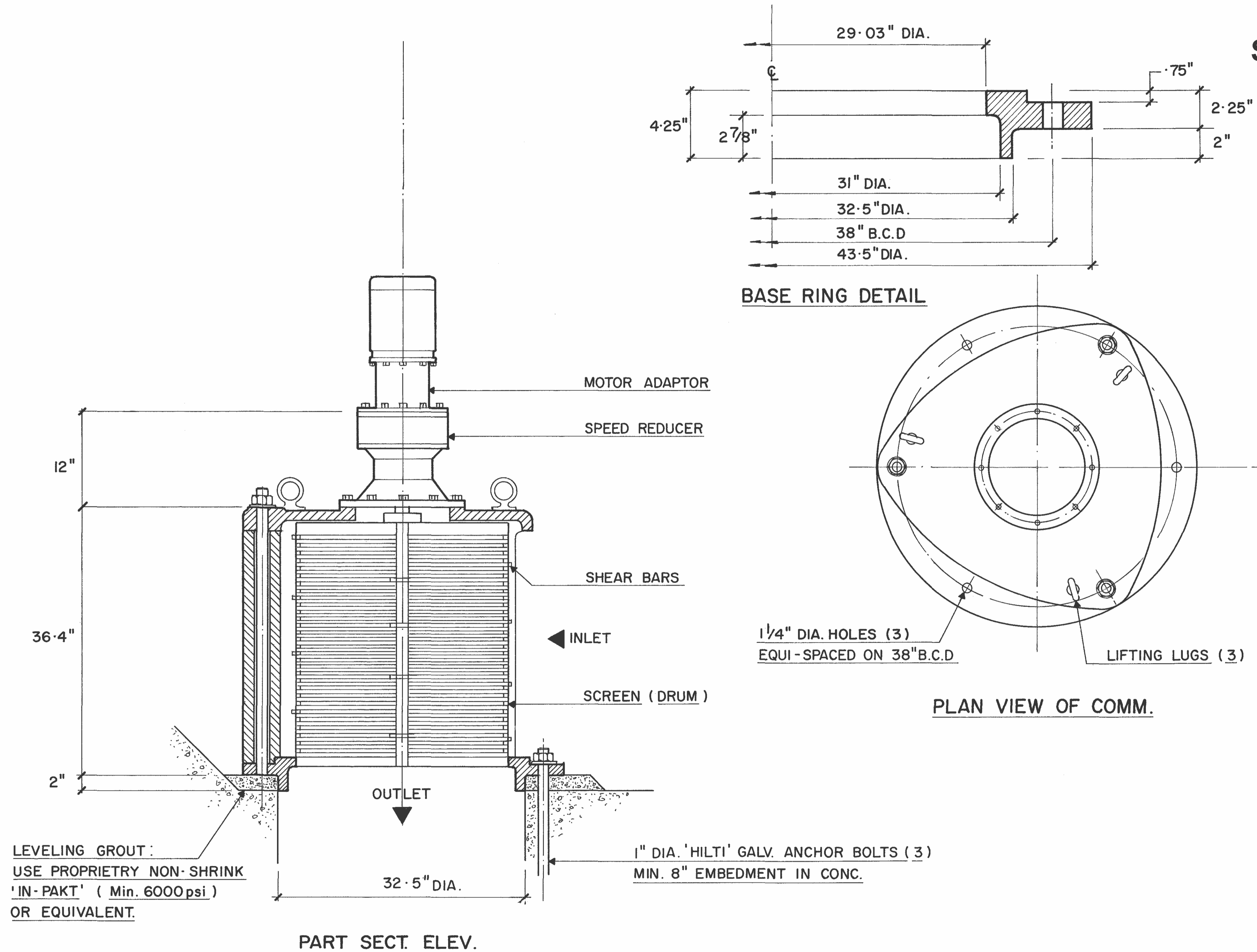


**MODEL 26A**  
**STANDARD**  
 SERIAL No. \_\_\_\_\_



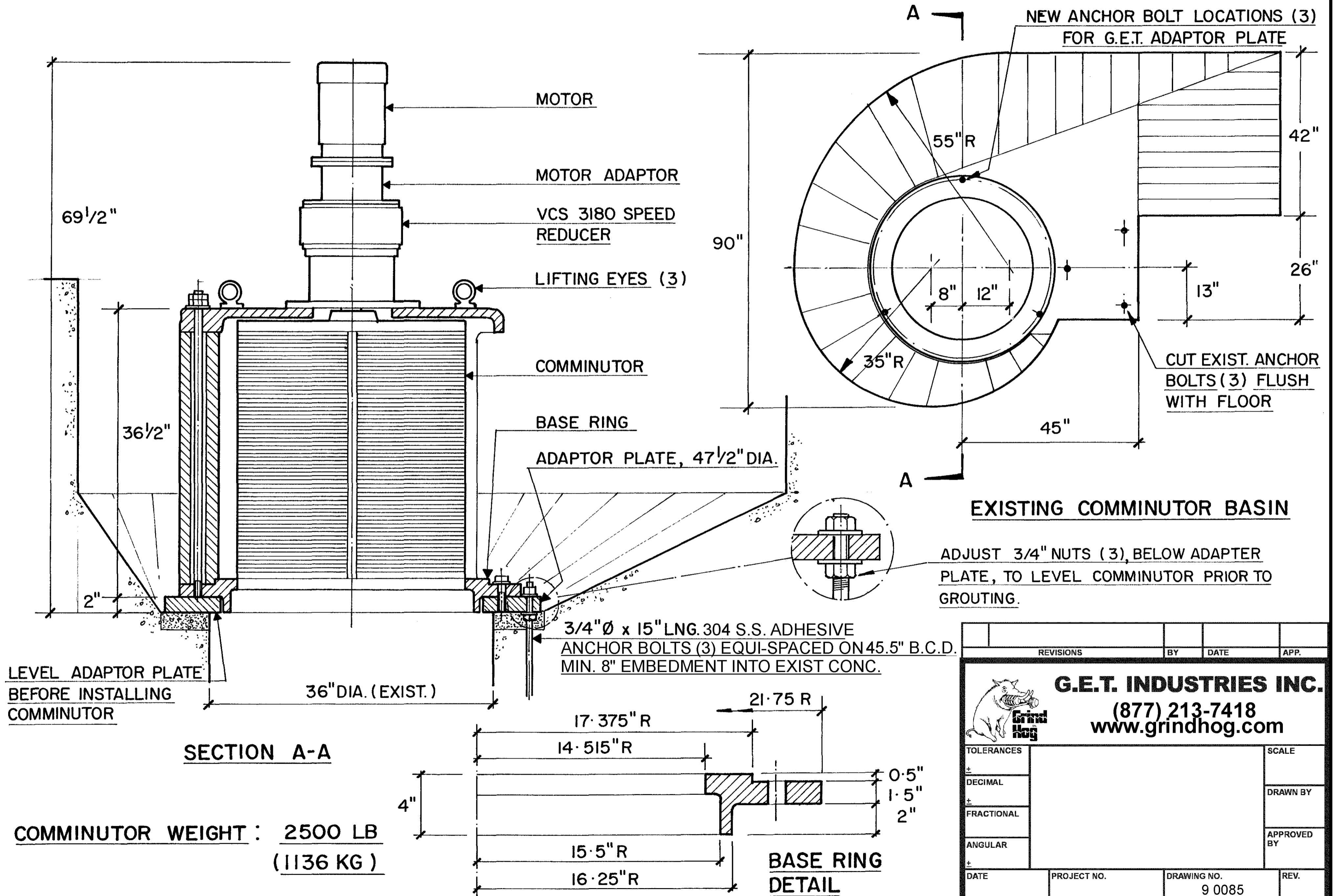
**MATERIALS OF CONSTRUCTION & GENERAL ENGINEERING DATA**


<b>HOUSING:</b>	GREY IRON	<b>CAPACITY:</b>	20 MGD (US)/75700 m <sup>3</sup> /day	<b>INLET AREA:</b>	1076 sq in 6942 cm sq
<b>DRUM (SCREEN):</b>	DUCTILE IRON (ASTM 536 GRADE 60-45-18)	<b>DRUM SPEED:</b>	30 RPM	<b>OUTLET AREA:</b>	537 sq in 3465 cm sq
<b>SHEAR BARS:</b>	AISI-A2 HIGH ALLOY TOOL STEEL	<b>ROTATION:</b>	CLOCKWISE	<b>DRUM DIAMETER:</b>	29 in 737 cm
<b>CUTTING BARS:</b>	AISI-01 TOOL STEEL REVERSIBLE	<b>SLOT WIDTH:</b>	0.470 in / 12 mm	<b>WEIGHT:</b>	2500 lb 1136 kg
<b>HARDWARE &amp; FASTENERS:</b>	304 STAINLESS STEEL	<b>NO OF SLOTS:</b>	116		
<b>MOTOR MANUFACTURER:</b>		<b>POWER:</b>	____ / ____ / ____	<b>RPM:</b>	1750
<b>STYLE:</b> TEFC (IP55)	<b>HP:</b> 3	<b>KW:</b> 2.24	<b>FRAME:</b> 182TC	<b>FLANGE:</b> 'C'	<b>RATING:</b> 16.1 HP
				<b>SM-CYCLO REDUCER MODEL:</b>	V6170
				<b>RATIO:</b>	59:1

REVISIONS		BY	DATE	APP.
<b>G.E.T. INDUSTRIES INC.</b>				
(877) 213-7418				
www.grindhog.com				
TOLERANCES				SCALE
±				NTS
DECIMAL				DRAWN BY
±				
FRACTIONAL				APPROVED BY
±				WDM
ANGULAR				
±				
DATE	PROJECT NO.	DRAWING NO.	REV.	
		6 0290		

# Grind Hog MODEL 26A (CAPACITY: 20 USMGD)

## REPLACEMENT OF JONES & ATTWOOD MODEL 36T



REVISIONS		BY	DATE	APP.
 <b>G.E.T. INDUSTRIES INC.</b> (877) 213-7418 www.grindhog.com				
TOLERANCES		SCALE		
±	DECIMAL	DRAWN BY		
±	FRACTIONAL			
±	ANGULAR			
DATE		PROJECT NO.	DRAWING NO.	REV.
			9 0085	