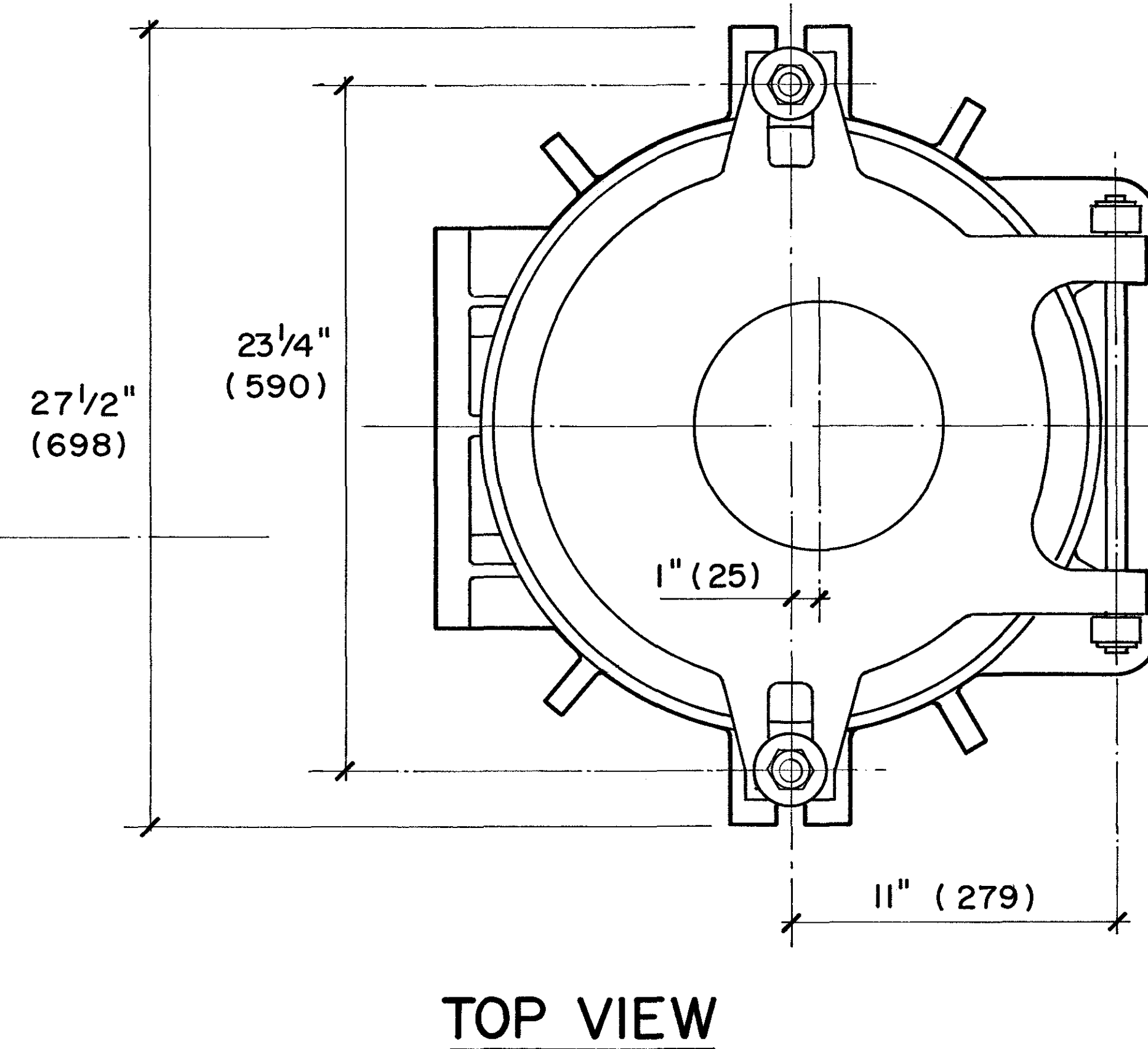
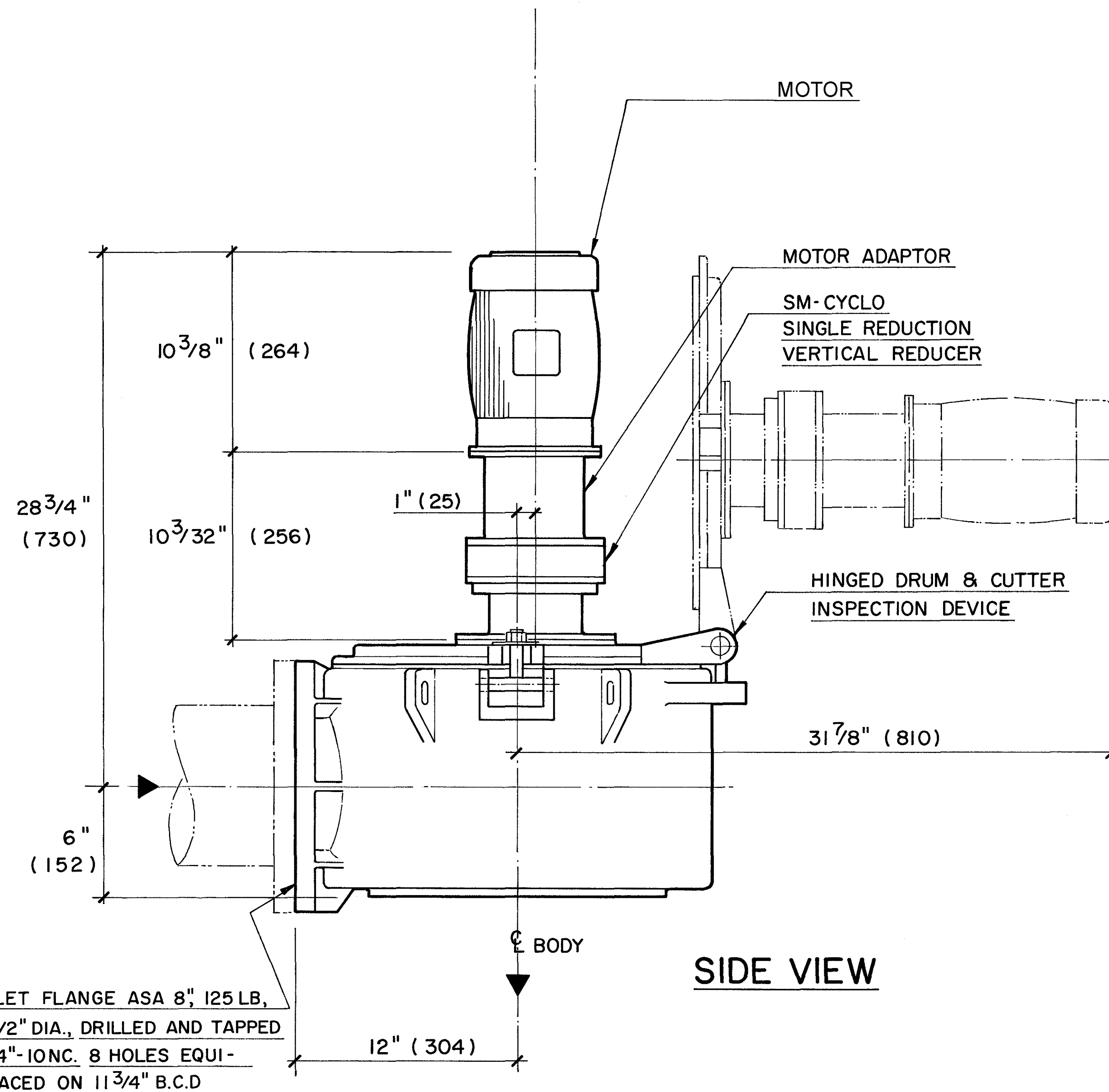


**MODEL 10A**  
**FREE DISCHARGE**  
 SERIAL No. \_\_\_\_\_



**MATERIALS OF CONSTRUCTION & GENERAL ENGINEERING DATA**

<b>HOUSING:</b>	GREY IRON	<b>CAPACITY:</b>	850 GPM (US) / 53.6 L/s	<b>INLET AREA:</b>	97 sq in 626 cm sq
<b>DRUM (SCREEN):</b>	DUCTILE IRON (ASTM 536 GRADE 60-45-18)	<b>DRUM SPEED:</b>	50 RPM	<b>OUTLET AREA:</b>	45 sq in 290 cm sq
<b>SHEAR BARS:</b>	AISI-A2 HIGH ALLOY TOOL STEEL	<b>ROTATION:</b>	C / CLOCKWISE	<b>DRUM DIAMETER:</b>	9.4 in 23.9 cm
<b>CUTTING BARS:</b>	AISI-01 TOOL STEEL REVERSIBLE	<b>SLOT WIDTH:</b>	0.470 in / 12 mm	<b>WEIGHT:</b>	430 lb 195 kg
<b>HARDWARE &amp; FASTENERS:</b>	304 STAINLESS STEEL	<b>NO OF SLOTS:</b>	36		
<b>MOTOR MANUFACTURER:</b>		<b>POWER:</b>	_____ / _____ / _____	<b>RPM:</b>	1750
<b>STYLE:</b> TEFC (IP55)	<b>HP:</b> 1.0	<b>KW:</b> .746	<b>FRAME:</b> 56C	<b>FLANGE:</b> 'C'	<b>SM-CYCLO REDUCER MODEL:</b> V6120
				<b>RATIO:</b> 35:1	<b>RATING:</b> 4.27 HP

REVISIONS		BY	DATE	APP.
<b>G.E.T. INDUSTRIES INC.</b>				
(877) 213-7418 www.grindhog.com				
TOLERANCES				SCALE
+	DECIMAL			DRAWN BY
+	FRACTIONAL			APPROVED BY
+	ANGULAR			
+	DATE	PROJECT NO.	DRAWING NO.	REV.
			6 0130 & 9 0015	