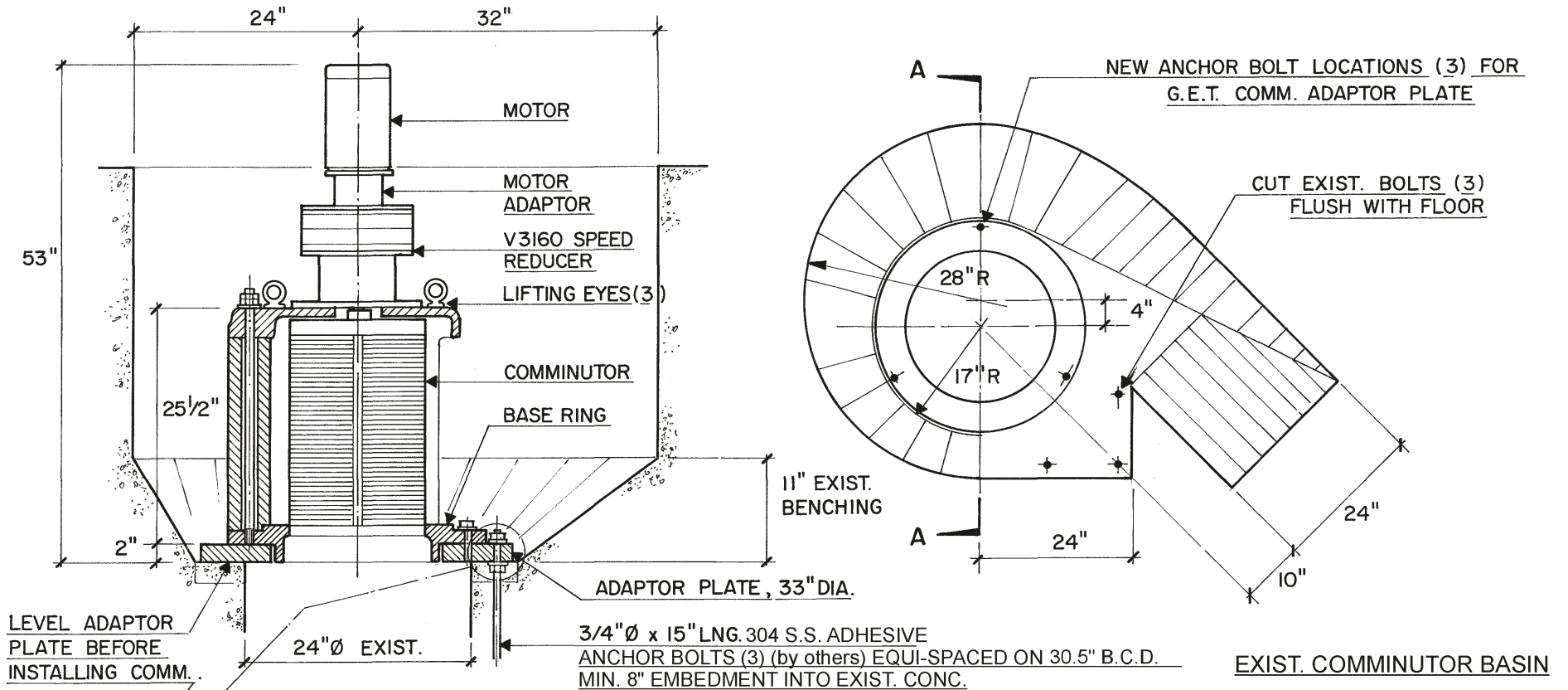
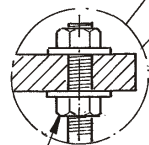


Grind Hog MODEL 16B (CAPACITY: 4.5 USMGD)

REPLACEMENT OF CHICAGO PUMP MODEL 25M

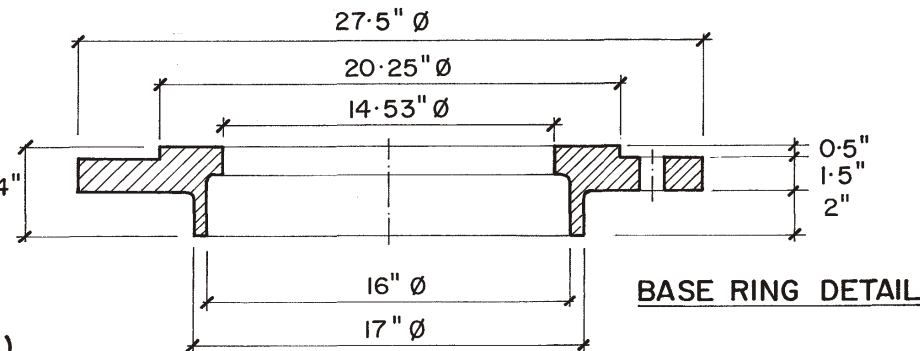


SECTION A-A



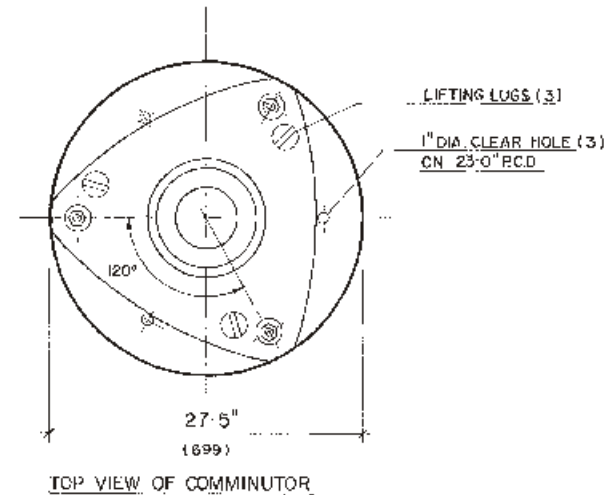
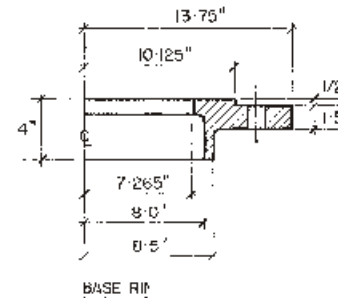
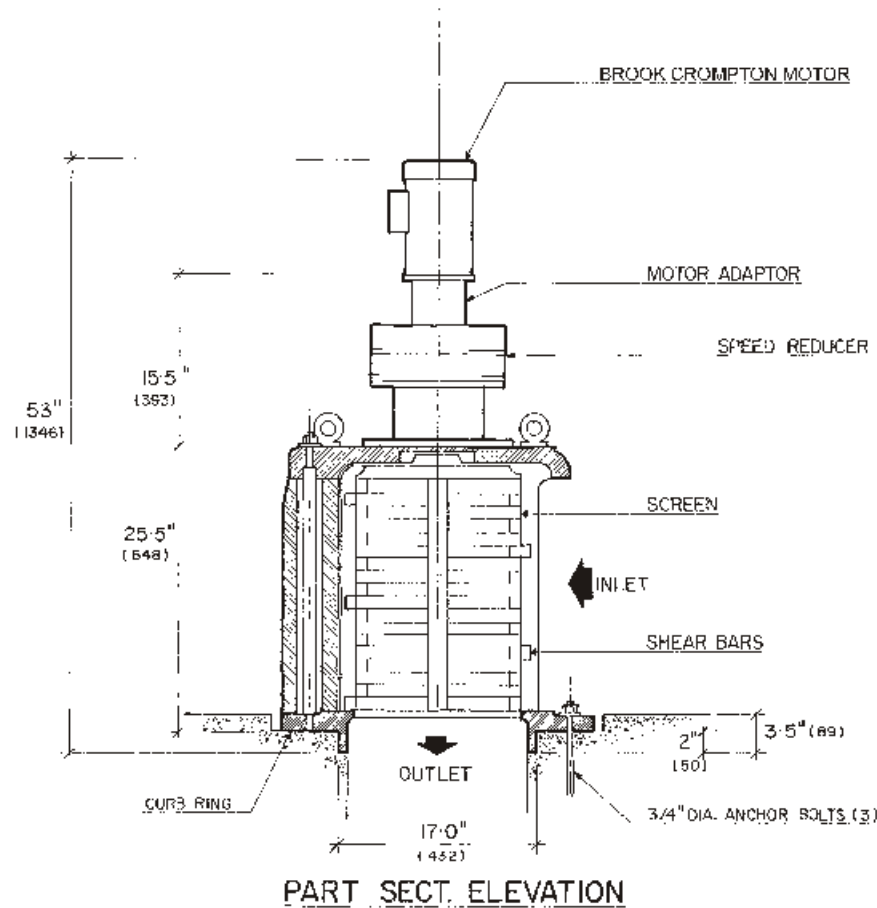
ADJUST 3/4" NUTS (3), BELOW ADAPTOR PLATE, TO LEVEL COMMUNOTOR PRIOR TO GROUTING

COMMINUTOR WEIGHT :
900 LB (408 KG)



REVISIONS	BY	DATE	APP.
G.E.T. INDUSTRIES INC.			
Box 640, Brampton, Ontario L6V 2L6 T(905) 451-9900 • F(905) 451-5376 get@grindhog.com • www.grindhog.com			
TOLERANCES			SCALE
+			DRAWN BY
DECIMAL			
FRACTIONAL			
ANGULAR			APPROVED BY
+			
DATE	PROJECT NO.	DRAWING NO.	REV.
		retro.16B-25M	

**MODEL 16B
STANDARD**
SERIAL No. _____



MATERIALS OF CONSTRUCTION & GENERAL ENGINEERING DATA

HOUSING:	GREY IRON	CAPACITY:	4.5 MGD (US) / 17000 m ³ /day	INLET AREA:	274 sq in / 1787 cm ² sq
DRUM (SCREEN):	DUCTILE IRON (ASTM 536 GRADE 80-45-18)	DRUM SPEED:	30 RPM	OUTLET AREA:	121 sq in / 780.6 cm ² sq
SHEAR BARS:	AISI-A2 HIGH ALLOY TOOL STEEL	ROTATION:	CLOCKWISE	DRUM DIAMETER:	14.5 in / 36.8 cm
CUTTING BARS:	AISI-01 TOOL STEEL REVERSIBLE	SLOT WIDTH:	0.473 in / 12 mm	WEIGHT:	850 lb / 385 kg
HARDWARE & FASTENERS:	304 STAINLESS STEEL	NO. OF SLOTS:	76		
MOTOR MANUFACTURER:	Brook-Crompton	POWER:	1 / 1	RPM:	1750
STYLE: TEEC (P55)	HP: 1.5	KW: 1.12	FRAME: 56C	FLANGE: C	RATIO: 59:1
				SM-CYCLO REDUCER MODEL:	V6160
				RATING:	7.72 HP

<p>G.E.T. INDUSTRIES INC. (877) 213-7418 www.grindhog.com</p>	
<p>NO. OF FACTS</p> <p>PROJ. NO.</p> <p>DATE</p> <p>NOV. 2005</p>	<p>NTS</p> <p>FORN</p> <p>DD.16B</p>



Grind HogTM

16ASX - 3.5 MGD

CLEONA BOROUGH AUTHORITY
PENNSYLVANIA

2005

REPRESENTATIVE

Envirep Inc
Camp Hill, PA



Basin of previously installed
Chicago Pump 25M

RELIANCE ELECTRIC



Submersible Explosion Proof Wastewater Motor
Suited to Continuous-In-Air or Submerged-In-Sewage Service

Mounting Plate: Anchor bolts coincide with curb ring of Model 24A - facilitates optional future installation of 10 MGD machine

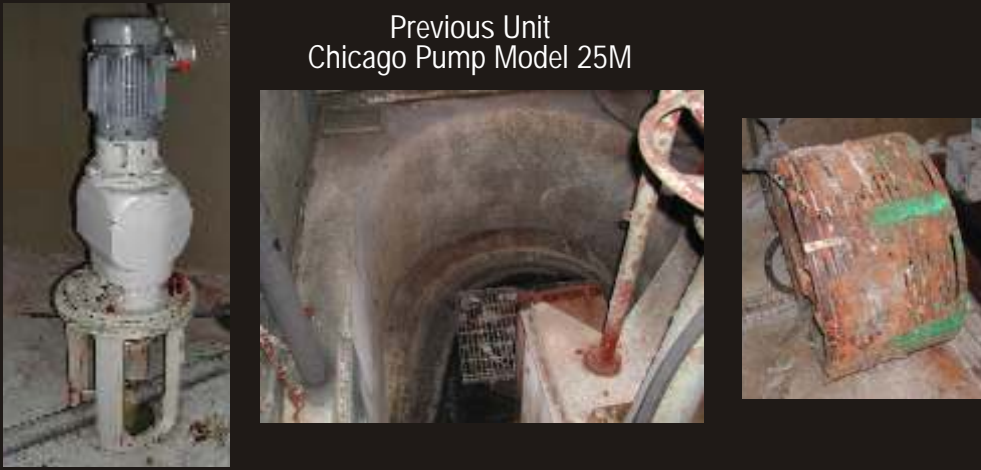


UNMATCHED RELIABILITY, EXCEPTIONAL PERFORMANCE
Cyclo^ospeed reducers and gear motors are designed to withstand shock loads exceeding 500% of their ratings



Grind HogTM
Reverse Clearing
Controller - NEMA 4X

Previous Unit
Chicago Pump Model 25M



G.E.T. INDUSTRIES INC.

Toll Free: (877) 213-7418
E-mail: get@grindhog.com ♦ Web: www.grindhog.com