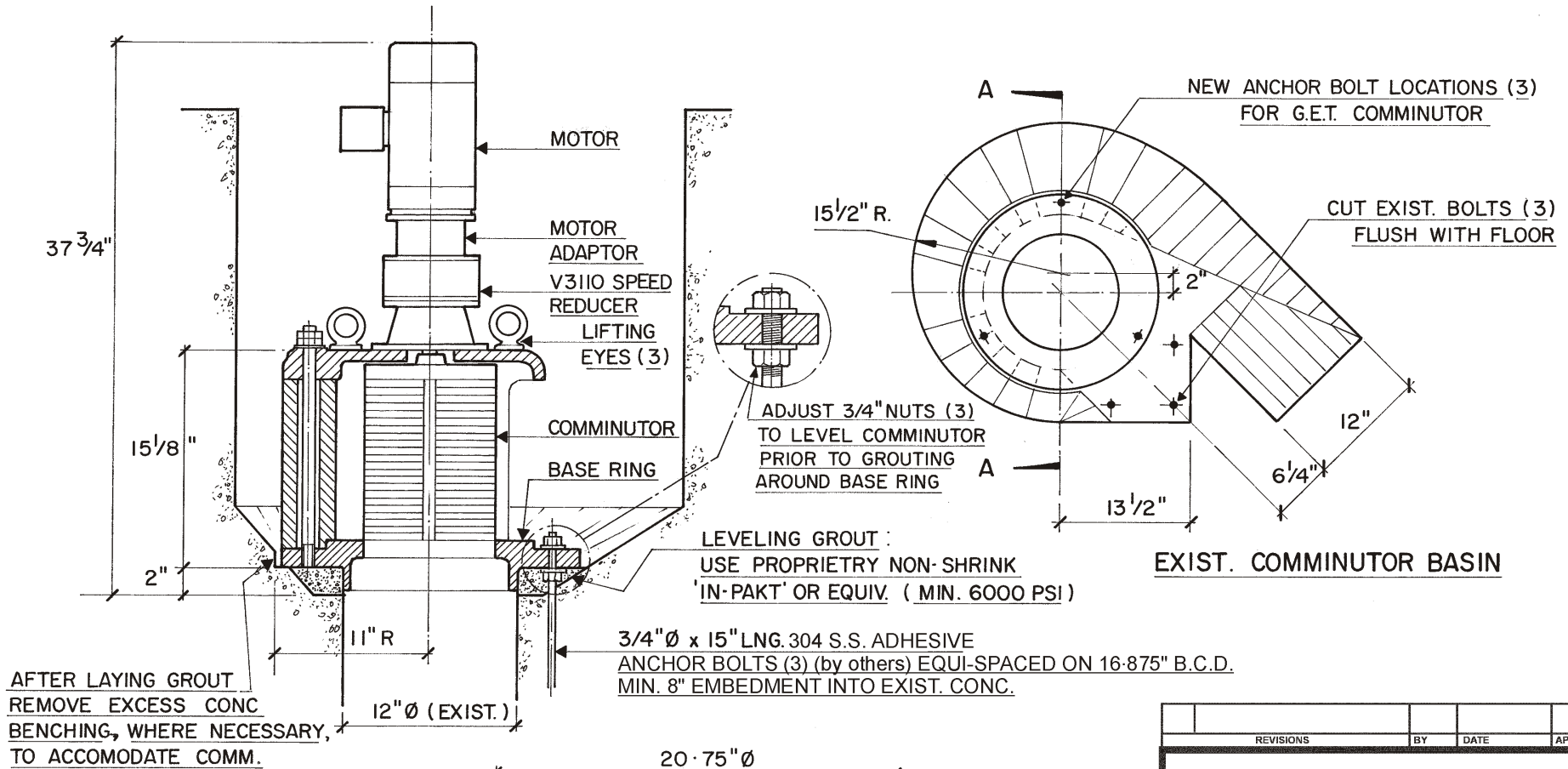


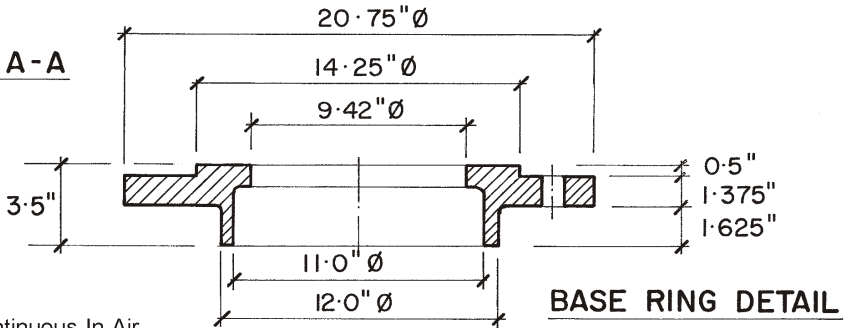
Grind Hog MODEL 10L (CAPACITY: 1.2 USMGD)

REPLACEMENT OF CHICAGO PUMP MODEL 10C




AFTER LAYING GROUT REMOVE EXCESS CONC BENCHING, WHERE NECESSARY, TO ACCOMODATE COMM.

SECTION A-A

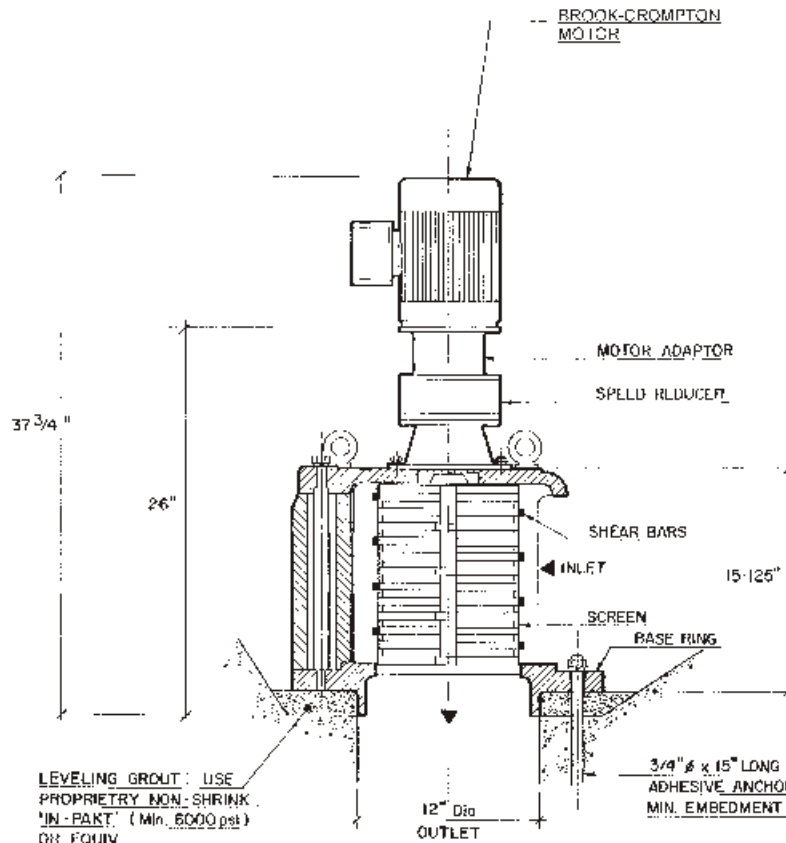


COMMUNOTOR WEIGHT :
400 LB (181 KG)

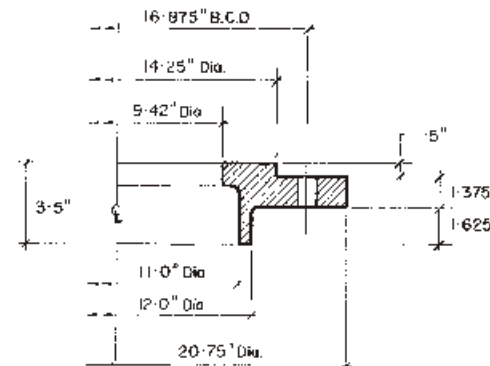
- 10L - TEFC
- 10LS - Immersible
- 10LSX - Submersible, Explosion-proof, Continuous-In-Air

REVISIONS		BY	DATE	APP.
 G.E.T. INDUSTRIES INC. Box 640, Brampton, Ontario L6V 2L6 T(905) 451-9900 • F(905) 451-5376 get@grindhog.com • www.grindhog.com				
TOLERANCES				SCALE
±				DRAWN BY
DECIMAL				
FRACTIONAL				
ANGULAR				APPROVED BY
DATE	PROJECT NO.	DRAWING NO.	REV.	
		retro.10L-10C		

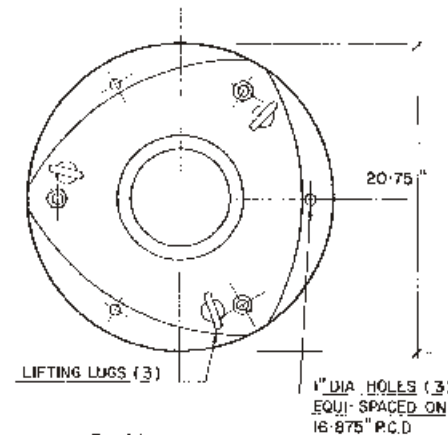
MODEL 10L
STANDARD COMMINUTOR
 SERIAL No. _____



PART SECT. ELEVATION



BASE RING DETAIL



PLAN VIEW

MATERIALS OF CONSTRUCTION & GENERAL ENGINEERING DATA

HOUSING:	GREY IRON	CAPACITY:	1.2 MGD (US) 4500 m ³ /day	INLET AREA:	97 sq in	626 cm sq
DRUM (SCREEN):	DUCTILE IRON (ASTM 538 GRADE 60-45-16)	DRUM SPEED:	50 RPM	OUTLET AREA:	45 sq in	290 cm sq
SHEAR BARS:	AISI-A2 HIGH ALLOY TOOL STEEL	ROTATION:	CLOCKWISE (STANDARD)	DRUM DIAMETER:	9.4 in	23.8 cm
CUTTING BARS:	AISI-31 TOOL STEEL REVERSIBLE	SLOT WIDTH:	0.470 in / 12 mm	WEIGHT:	400 lb	181 kg
HARDWARE & FASTENERS:	304 STAINLESS STEEL	NO. OF SLOTS:	36			

MOTOR MANUFACTURER:	Brook-Crompton	POWER:	1 / 1	RPM:	1750	SM-CYCLO REDUCER MODEL:	V6120
STYLE - TFCO (P65)	HP: 1.0	KW:	746	FRAME:	56C	FLANGE:	C
						RATIO:	35:1
						RATING:	4.27 HP

DATE:	BY:	DATE:	BY:
G.E.T. INDUSTRIES INC.			
(877) 213-7418			
www.grindhog.com			
DESIGNED BY:	DATE:	APPROVED BY:	DATE:
DRAWN BY:		INSP. BY:	
CHECKED BY:		DATE:	
SCALE:		BY:	WDM
REV:	DATE:	DESCRIPTION:	
Nov 2006		MODEL	10L



Grind HogTM

Borough of Wormleysburg



REPRESENTATIVE

Envirep Inc.
Plant Sales & Service
3075 Trindle Road, Camp Hill, PA 17011
T (717) 761-7884 • F (717) 737-5817
E-Mail: sales@envirep.com • www.envirep.com



1 10LH Ser. 9019

Hydraulic Unit



Replacement of Existing Chicago Pump 10C



Grind Hog™ 10LH Ser. 9019
Prior to Shipment & Installation



Hydraulic Power Unit



Grind Hog™ Controller Front & Inside Panel



G.E.T. INDUSTRIES INC.

Toll Free: (877) 213-7418
E-mail: get@grindhog.com ♦ Web: www.grindhog.com