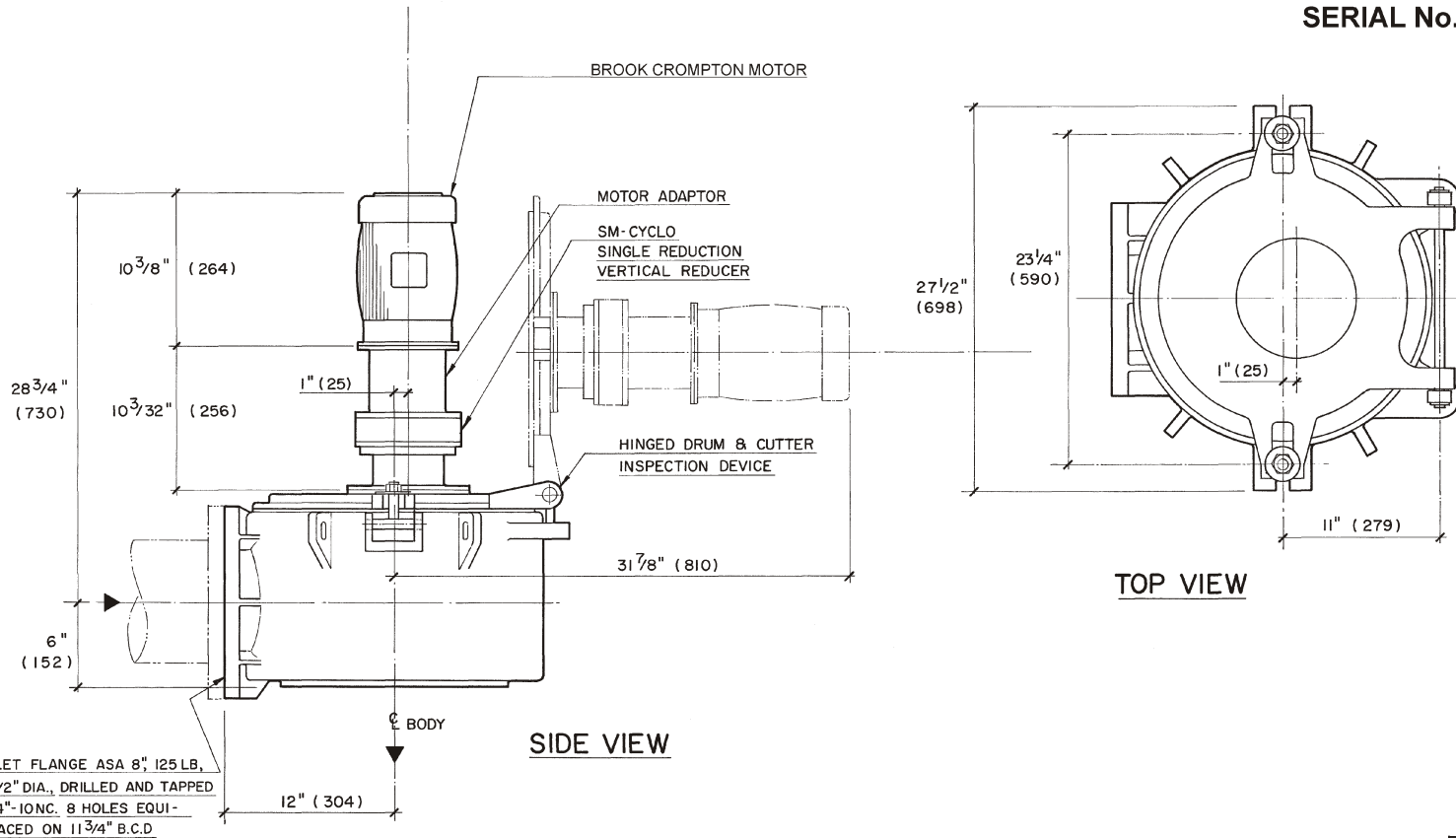




# Grind Hog™ DIMENSIONAL & MECHANICAL DETAIL

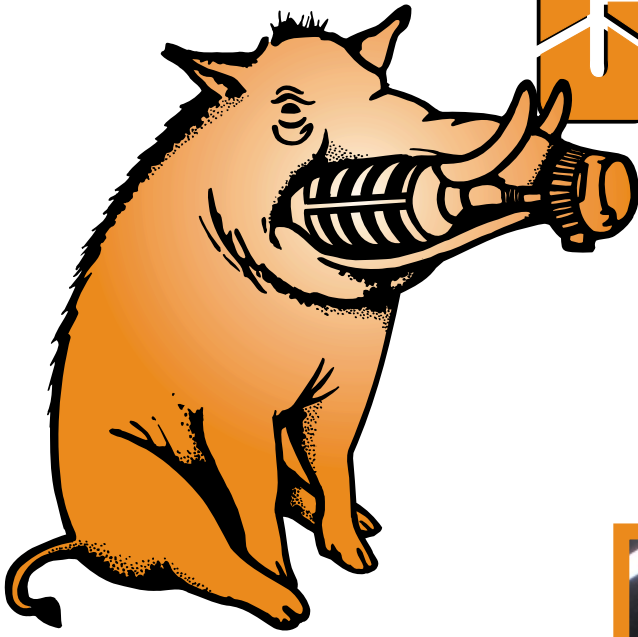
**MODEL 10A**  
**FREE DISCHARGE**  
 SERIAL No. \_\_\_\_\_



## MATERIALS OF CONSTRUCTION & GENERAL ENGINEERING DATA

<b>HOUSING:</b>	GREY IRON	<b>CAPACITY:</b>	850 GPM (US) / 53.6 L/s	<b>INLET AREA:</b>	97 sq in / 626 cm sq
<b>DRUM (SCREEN):</b>	DUCTILE IRON (ASTM 536 GRADE 60-45-18)	<b>DRUM SPEED:</b>	50 RPM	<b>OUTLET AREA:</b>	45 sq in / 290 cm sq
<b>SHEAR BARS:</b>	AISI-A2 HIGH ALLOY TOOL STEEL	<b>ROTATION:</b>	C / CLOCKWISE	<b>DRUM DIAMETER:</b>	9.4 in / 23.9 cm
<b>CUTTING BARS:</b>	AISI-01 TOOL STEEL REVERSIBLE	<b>SLOT WIDTH:</b>	0.470 in / 12 mm	<b>WEIGHT:</b>	430 lb / 195 kg
<b>HARDWARE &amp; FASTENERS:</b>	304 STAINLESS STEEL	<b>NO OF SLOTS:</b>	36		
<b>MOTOR MANUFACTURER:</b>	Brook Crompton	<b>POWER:</b>	/ /	<b>RPM:</b>	1750
<b>STYLE: TEFC (IP55)</b>	<b>HP: 1.0</b>	<b>KW: 746</b>	<b>FRAME: 56C</b>	<b>FLANGE: 'C'</b>	<b>RATING: 4.27 HP</b>
				<b>SM-CYCLO REDUCER MODEL:</b>	V6120
				<b>RATIO:</b>	35:1

REVISIONS	BY	DATE	APP.
<b>G.E.T. INDUSTRIES INC.</b>			
Box 640, Brampton, Ontario L6V 2L6 T(905) 451-9900-F(905) 451-5376 get@grindhog.com-www.grindhog.com			
TOLERANCES			SCALE
DECIMAL			DRAWN BY
FRACTIONAL			APPROVED BY
ANGULAR			REV.
DATE	PROJECT NO.	DRAWING NO.	
Oct. 2006		DD.10A	



# Grind Hog<sup>TM</sup>

## GORDON STREET PUMP STATION

Town of Secretary, MD  
2008



MODEL 10ASX



**ENVIREP** 3705 TRINDLE ROAD, CAMP HILL, PA 17011  
**INC.** PHONE (717) 761-7884



PREVIOUS UNIT CHICAGO PUMP 7C

## G.E.T. INDUSTRIES INC.

Toll Free: (877) 213-7418  
E-mail: [get@grindhog.com](mailto:get@grindhog.com) ♦ Web: [www.grindhog.com](http://www.grindhog.com)