



# HORIZONTAL FLOW

RETROFIT ALTERNATIVE

## “TOILET SEAT BOX STYLE” DROP IN REPLACEMENT

PROJECT: \_\_\_\_\_

ANTICIPATED PEAK FLOW: \_\_\_\_\_

EXISTING CHANNEL:

Width (w): \_\_\_\_\_

Depth (d): \_\_\_\_\_

Underdrain Clearance (c): \_\_\_\_\_

MOTOR REQUIREMENTS:

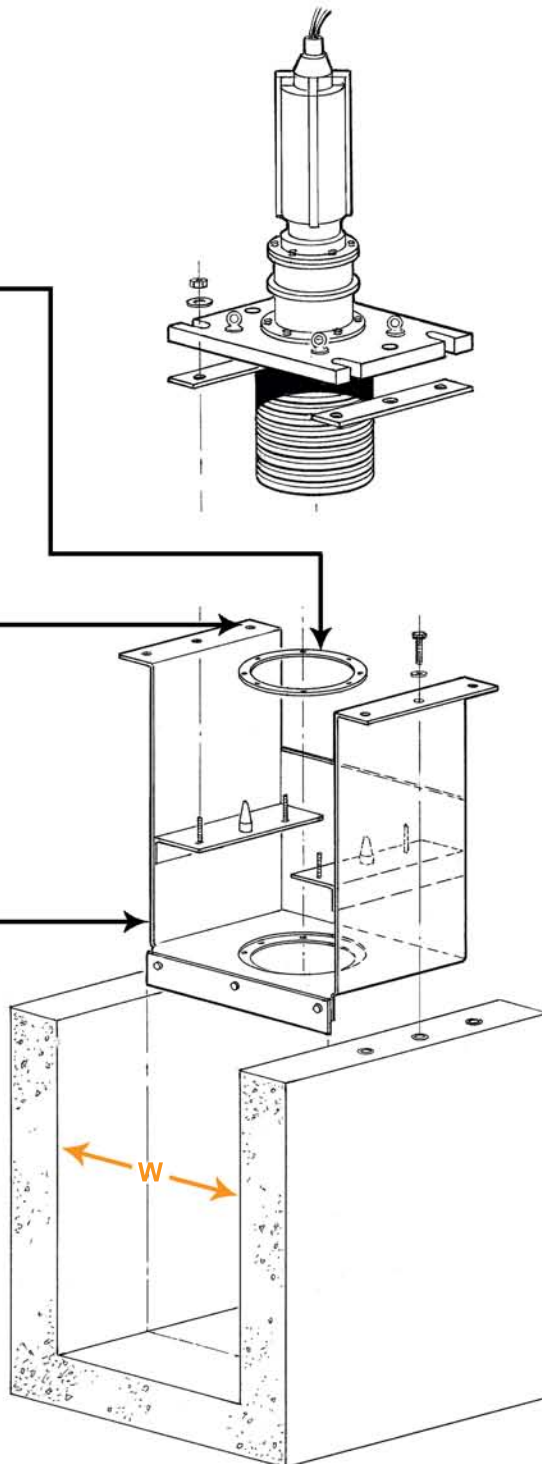
Power: \_\_\_\_\_ / \_\_\_\_\_ / \_\_\_\_\_

Enclosure: \_\_\_\_\_

Replaceable wear ring for extended life

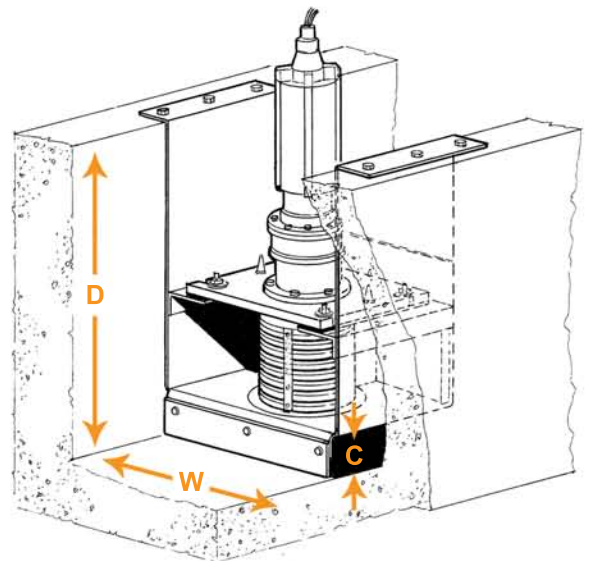
Supported from above on the channel walls, eliminating the requirement for any submerged anchorage

Fabricated from 304 Stainless Steel to suit existing channel dimensions



### REPLACING

- Barminutor
- Clow Aer-O-Flo
- Franklin Miller-Diminutor
- Infilco Degremont
- Muffin Monster
- Worthington
- .....Among others

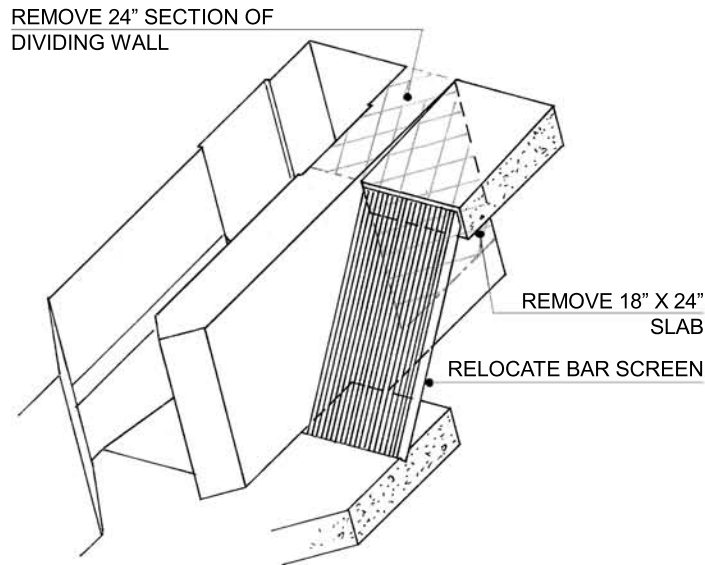


# HORIZONTAL FLOW

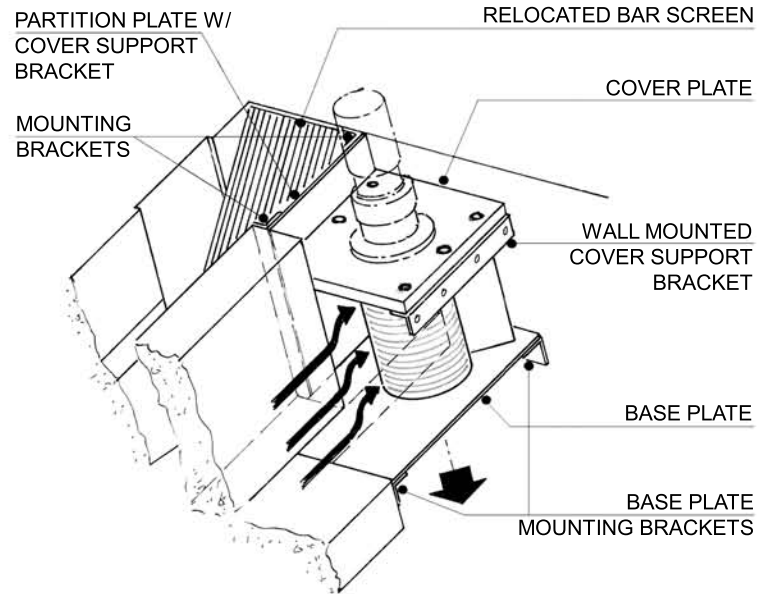


Customized to suit each application

## ORIGINAL CHANNEL



## PROPOSED CHANGES



Original  
Worthington 15-5



Custom Fabricated  
Basin



16 ASX T/S



Custom Fabricated Basin  
& 16ASX T/S  
Ready for Shipment

**G.E.T. INDUSTRIES INC.**

Toll free: (877) 213-7418 Email: [get@grindhog.com](mailto:get@grindhog.com) Web: [www.grindhog.com](http://www.grindhog.com)