

Grind Hog™

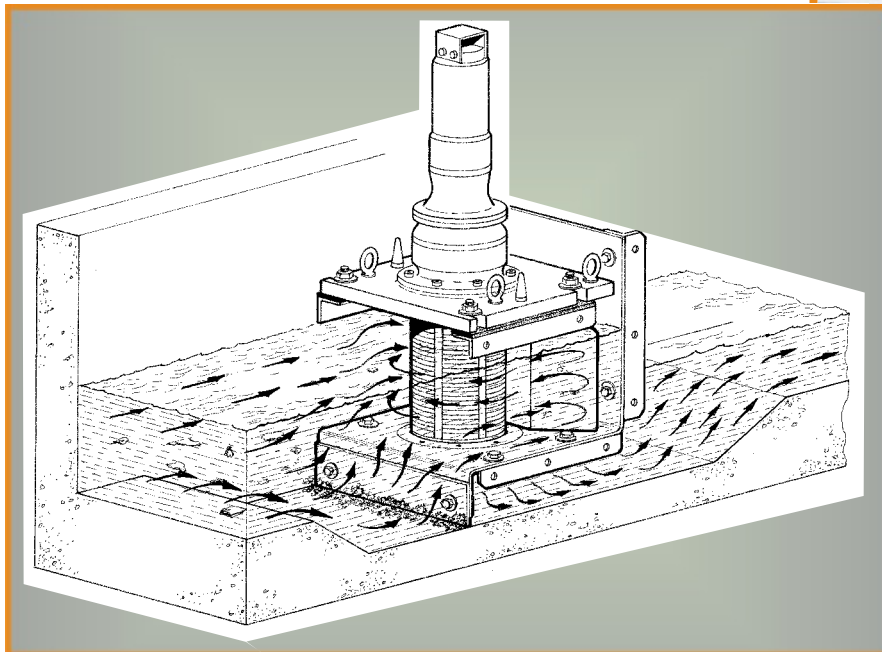
T.M.

TOILET SEAT CHANNEL ARRANGEMENT

FEATURING

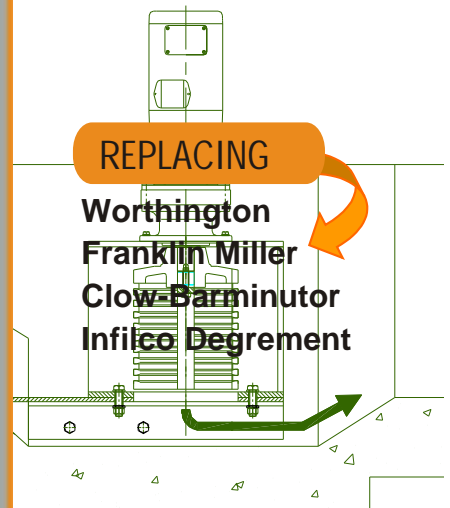
Traditional Grind Hog™ Drum Screens, Cutters and Cyclo drive (500% overload capacity)

- ▶ “Easy out” removal for inspection or maintenance
- ▶ Flood-proof wastewater motor options
- ▶ No submerged bearings or seals



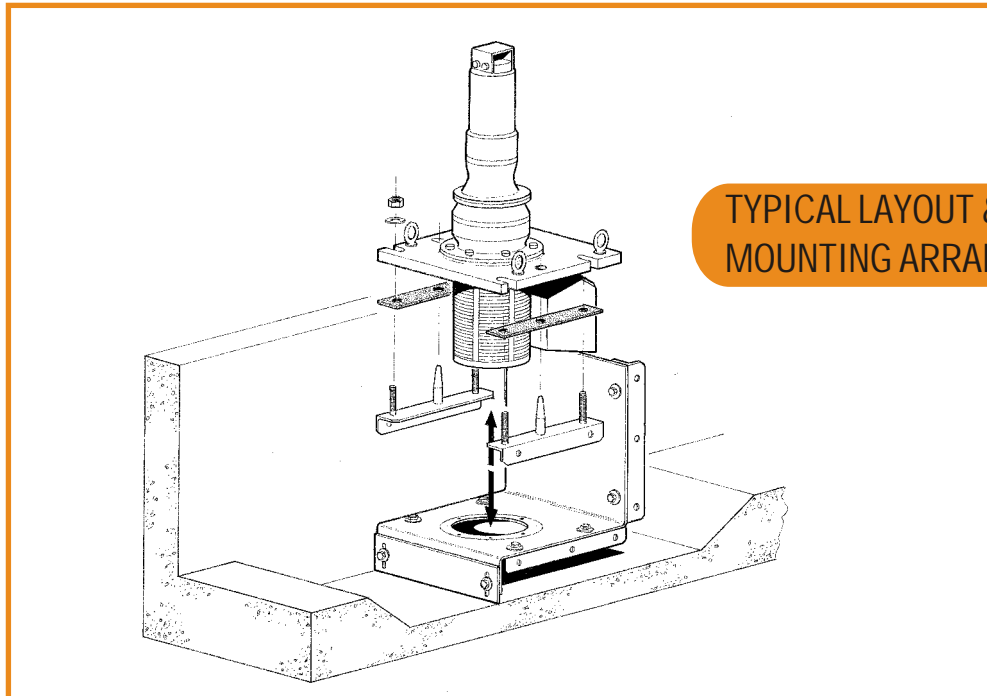
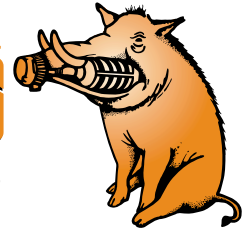
REPLACING

Worthington
Franklin Miller
Clow-Barminator
Infilco Degrement



Grind Hog™

TOILET SEAT
CHANNEL ARRANGEMENT



TYPICAL LAYOUT & MOUNTING ARRANGEMENT

PARTS SCHEMATIC

